

INSTALLATION AND OPERATING INSTRUCTIONS

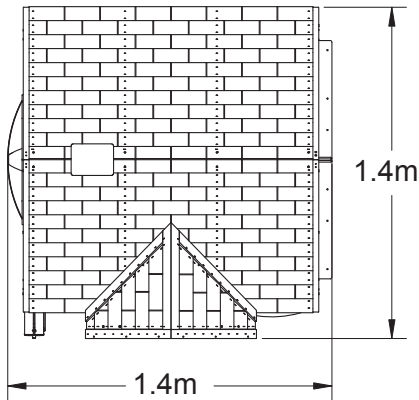


WARNING

To reduce the risk of serious injury or death, you must read and follow these instructions. Keep and refer to these instructions often and give them to any future owner of this play set. Manufacturer contact information provided below.

CAPACITY - 5 Users Maximum, Ages 2 to 10.

RESIDENTIAL HOME USE ONLY. Not intended for public areas such as schools, churches, nurseries, day cares or parks.



Instructional video available online: <http://www.kidkraft.eu/stoneycreek-assembly>



Olympisch Stadion 29

1076DE Amsterdam

The Netherlands

Email: europcustomerservice@kidkraft.com


Phone: +31 20 305 8620 M-F from 09:00 to 17:30 (GMT+1)

For online parts replacement visit <https://parts.kidkraft.eu/>

Table of Contents

Warnings and Safe Play Instructions	pg. 2
Instructions for Proper Maintenance	pg. 2
Keys to Assembly Success	pg. 3
About Our Wood – Limited Warranty	pg. 4
Keys to Quick Assembly	pg. 5
Part ID	pg. 6
Step-By-Step Instructions	pg. 13

Warnings and Safe Play Instructions

 **CONTINUOUS ADULT SUPERVISION REQUIRED.** Most serious injuries and deaths on playground equipment have occurred while children were unsupervised! Our products are designed to meet mandatory and voluntary safety standards. Complying with all warnings and recommendations in these instructions will reduce the risk of serious or fatal injury to children using this play system. Go over the warnings and safe play instructions regularly with your children and make certain that they understand and follow them. Remember on-site adult supervision is required for children of all ages.



WARNING

CHOKING HAZARD/SHARP EDGES & POINTS

Adult assembly required. This product contains small parts and parts with sharp edges and points. Keep parts away from children until fully assembled.

STRANGULATION HAZARD

- **NEVER** allow children to play with ropes, clotheslines, pet leashes, cables, chains or cord-like items when using this playhouse or to attach these items to the playhouse.
- **NEVER** allow children to wear loose fitting clothing, ponchos, hoods, scarves, capes, necklaces, items with draw-strings, cords or ties when using this playhouse.
- **NEVER** allow children to wear bike or sport helmets when using this playhouse.

Failure to prohibit these items, even helmets with chin straps, increases the risk of serious injury and death to children from entanglement and strangulation.

TIP OVER HAZARD

Choose a level location for the equipment. This can reduce the likelihood of the playhouse tipping over and loose-fill surfacing materials washing away during heavy rains.

DO NOT allow children to play on the playhouse until the assembly is complete.



WARNING – Safe Play Instructions

- ✓ Dress children with well fitting and full foot enclosing footwear.
- ✓ Check for splintered, broken or cracked wood; missing, loose, or sharp edged hardware. Replace, tighten and or sand smooth as required prior to playing.
- ✗ Do not allow children to wear open toe or heel footwear like sandals, flip-flops or clogs.
- ✗ Do not permit climbing on equipment when it is wet.
- ✗ Do not permit rough play or use of equipment in a manner for which it was not intended. Standing or climbing on or jumping from the roof.

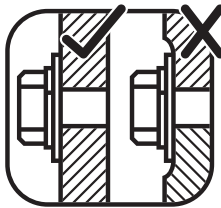
Instructions for Proper Maintenance

Your Play System is designed and constructed of quality materials with your child's safety in mind. As with all outdoor products used by children, it will weather and wear. To maximize the enjoyment, safety and life of your Playhouse, it is important that you, the owner, properly maintain it.

Check the following at the beginning of the play season:

HARDWARE:

- ✓ Check metal parts for rust. If found, sand and repaint using a non-lead paint complying with 16 CFR 1303.
- ✓ Inspect and tighten all hardware. On wood assemblies **DO NOT OVER-TIGHTEN** as to cause crushing and splintering of wood.
- ✓ Check for sharp edges or protruding screw threads, add washers if required.



WOOD PARTS:

- ✓ Check all wood members for deterioration, structural damage and splintering. Sand down splinters and replace deteriorated wood members. As with all wood, some checking and small cracks in grain is normal.
- ✓ Applying a water repellent or stain (water-based) on a yearly basis is important maintenance to maintain maximum life and performance of the product.

Check twice a month during play season:

HARDWARE:

- ✓ Inspect for tightness. Must be firmly against, but not crushing the wood. **DO NOT OVER-TIGHTEN.** This will cause splintering of wood.
- ✓ Check for sharp edges or protruding screw threads. Add washers if required.

If you dispose of your playhouse: Please disassemble and dispose of your unit so that it does not create any unreasonable hazards at the time it is discarded. Be sure to follow your local waste ordinances.

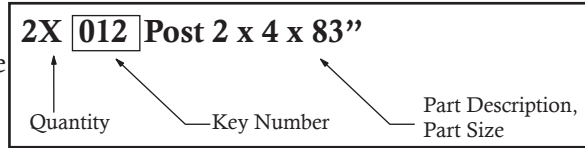
Keys to Assembly Success

Tools Required

<ul style="list-style-type: none"> • Carpenters Level • Carpenters Square 	<ul style="list-style-type: none"> • Claw Hammer • Tape Measure 	<ul style="list-style-type: none"> • Standard or Cordless Drill • Pencil 	<ul style="list-style-type: none"> • Safety Glasses • Adult Helpers
---	---	--	---

Part Identification Key








On each page, you will find the parts and quantities required to complete the assembly step illustrated on that page. Here is a sample.



Key Number: The first two digits represent the step number. The third digit represents the piece. Note that if the part is used in multiple steps then the number only reflects the first step it is used in.

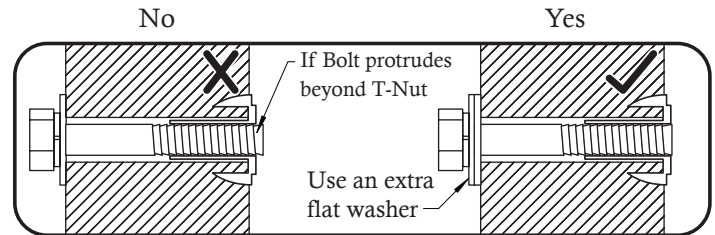
Symbols

Throughout these instructions symbols are provided as important reminders for proper and safe assembly.

<p>This identifies information that requires special attention. Improper assembly could lead to an unsafe or dangerous condition.</p> 	<p>Check that set or assembly is properly level before proceeding.</p> <p>Use Level</p> 
<p>Use Help</p>  <p>Use Help</p>  <p>Where this is shown, 2 or 3 people are required to safely complete the step. To avoid injury or damage to the assembly make sure to get help!</p>	<p>Pre-drill 1/8" & 3/16" Bit</p> <p>Pre-drill a pilot hole before fastening screw or lag to prevent splitting of wood.</p>
<p>Measure Distance</p>  <p>Check that assembly is square before tightening bolts.</p> <p>Use a measuring tape to assure proper location.</p>	<p>Tighten Bolts</p>  <p>This indicates time to tighten bolts, but not too tight! Do not crush the wood. This may create splinters and cause structural damage.</p>
<p>Square Assembly</p> 	

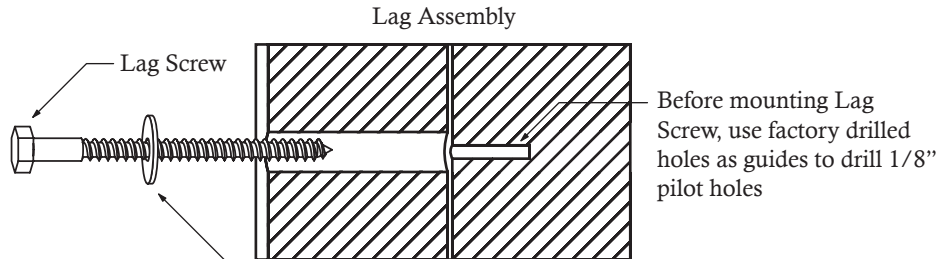
CAUTION – Protrusion Hazard

Once the assembly is tightened, watch for exposed threads. If a thread protrudes from the T-Nut, remove the bolt and add washers to eliminate this condition. Extra washers have been provided for this purpose.

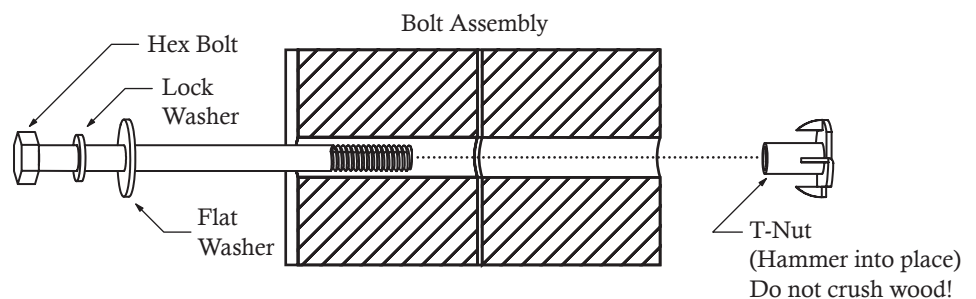


Proper Hardware Assembly

Lag screws require drilling pilot holes to avoid splitting wood. Only a flat washer is required. For ease of installation liquid soap can be used on all lag-type screws.



For bolts, tap T-Nut into hole with hammer. Insert the hex bolt through lock washer first then flat washer then hole. Because the assemblies need to be squared do not completely tighten until instructed. Pay close attention to diameter of the bolts. 5/16" is slightly larger than 1/4".



Note: Wafer head bolts with blue lock tight or a bolt with a Ny-Lok nut do NOT require a lock washer.

About Our Wood

KidKraft Netherlands B.V. uses only premium playset lumber, ensuring the safest product for your children's use. Although we take great care in selecting the best quality lumber available, wood is still a product of nature and susceptible to weathering which can change the appearance of your set.

What causes weathering? Does it affect the strength of my Play System?

One of the main reasons for weathering is the effects of water (moisture); the moisture content of the wood at the surface is different than the interior of the wood. As the climate changes, moisture moves in or out of the wood, causing tension which can result in checking and or warping. You can expect the following due to weathering. These changes will not affect the strength of the product:

1. **Checking** is surface cracks in the wood along the grain. A post (4" x 4") will experience more checking than a board (1" x 4") because the surface and interior moisture content will vary more widely than in thinner wood.
2. **Warping** results from any distortion (twisting, cupping) from the original plane of the board and often happens from rapid wetting and drying of the wood.
3. **Fading** happens as a natural change in the wood color as it is exposed to sun-light and will turn a grey over time.

How can I reduce the amount of weathering to my Play System?

At the factory we have coated the wood with a water repellent or stain. This coating decreases the amount of water absorption during rain or snow thus decreasing the tension in the wood. Sunlight will break down the coating, applying a water repellent or stain on a yearly basis is important maintenance. (see your local stain and paint supplier for a recommended product)

Most weathering is just the normal result of nature and will not affect safe play and enjoyment for your child. However if you are concerned that a part has experienced a severe weathering problem please call our consumer relations department for further assistance.

Please complete your product registration online at <https://prdregistration.kidkraft.com/> to receive important product notifications and assure prompt warranty service.

5 Year Limited Warranty

KidKraft Netherlands B.V. warrants that this product is free from defect in materials and workmanship for a period of one year from the original date of purchase. In addition, lumber is warranted for 5 years against structural failure due to rot and insect damage. All other parts, such as hardware, swings, rides, accessories, and slides carry a one-year warranty only.

This warranty applies to the original owner and registrant and is non-transferable. Regular maintenance is required to assure the integrity of your Play System. Failure by the owner to maintain the product according to the maintenance requirements may void this warranty. This warranty does not cover any inspection cost.

This Limited Warranty does not cover:

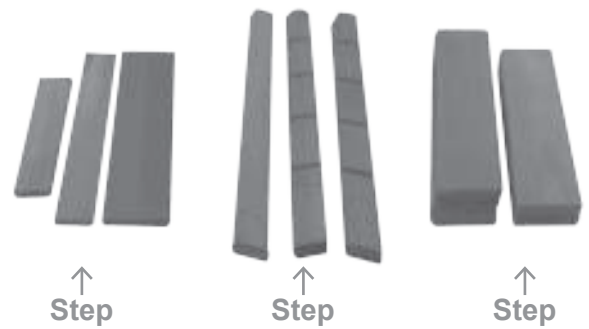
- Labor for replacement of any defective item(s);
- Incidental or consequential damages;
- Cosmetic defects which do not affect performance or integrity;
- Vandalism; improper use or installation; acts of nature;
- Minor twisting, warping, checking, or any other natural occurring properties of wood that do not affect performance or integrity.

KidKraft Netherlands B.V. products have been designed for safety and quality. Any modifications made to the original product could damage the structural integrity of the unit leading to failure and possible injury. KidKraft Netherlands B.V. cannot assume any responsibility for modified products. Furthermore, modification voids any and all warranties.

This product is warranted for **RESIDENTIAL USE ONLY**. Under no circumstance should a KidKraft Netherlands B.V. Play System be used in public settings such as schools, churches, playgrounds, parks, day cares and the like. Such use may lead to product failure and potential injury. Any and all public use will void this warranty.

Your Key To Quick Assembly

SORTING WOOD PARTS INTO EACH ASSEMBLY STEP WILL SAVE TIME!



SAVE TIME - TIP #1:

Open box with wood parts and look for the Key Number stamped on the end of the wood part (see chart below). Sort each wood part into the different assembly steps.

1X **131** **Cafe Top FSC 15.9 x 127 x 1225.6 mm**

↑ ↑ ↑ ↑

Part Quantity Key Number Part Description Part Size

Step Number
(This is Step 13)

131

Order Listed
(The order the part is listed in step 13)

Key Number: The first two digits represent the step number. The third digit represents the order in which the part is listed in the step.

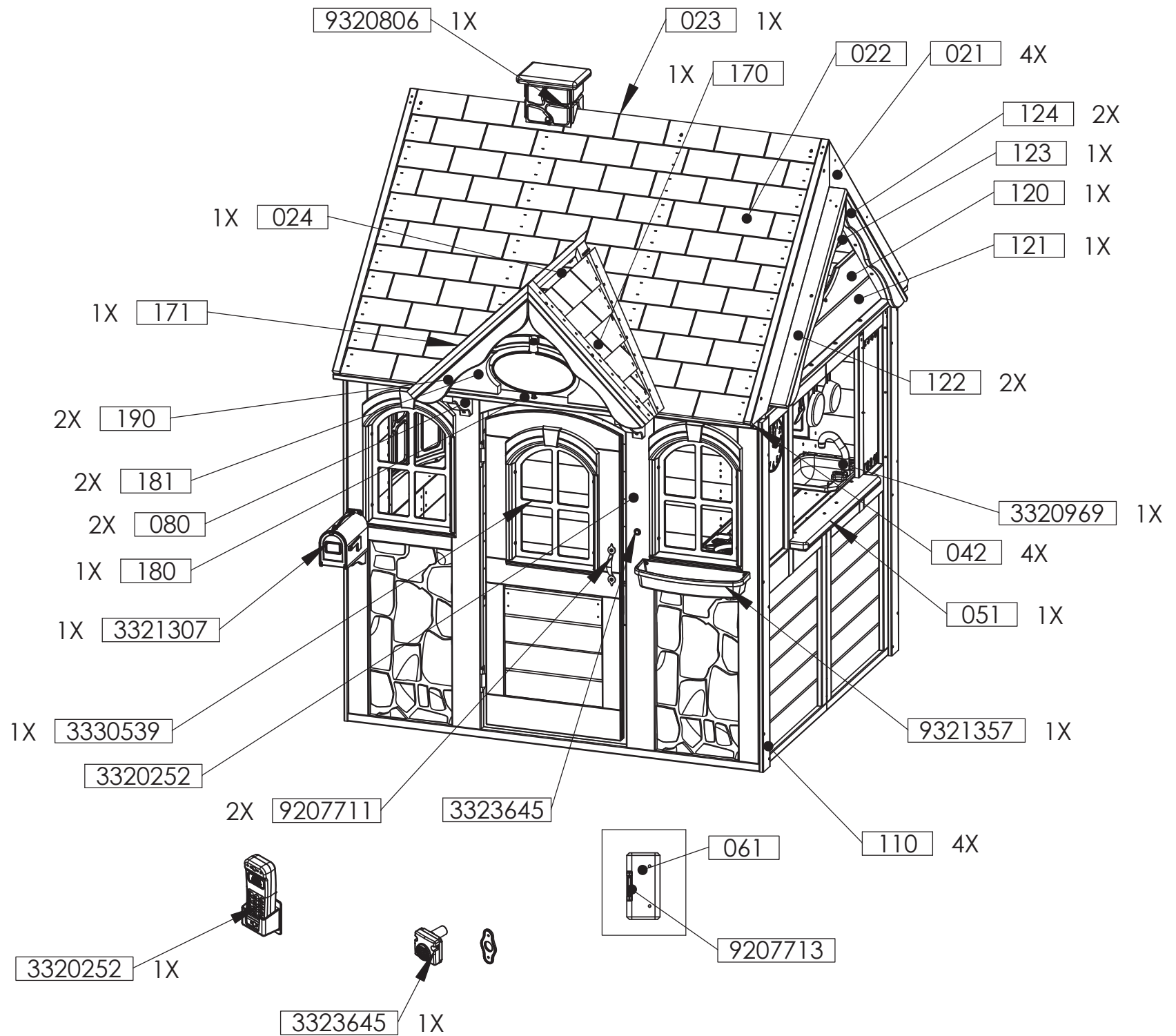
Note that if the part is used in multiple steps then the key number only reflects the first step it is used in.

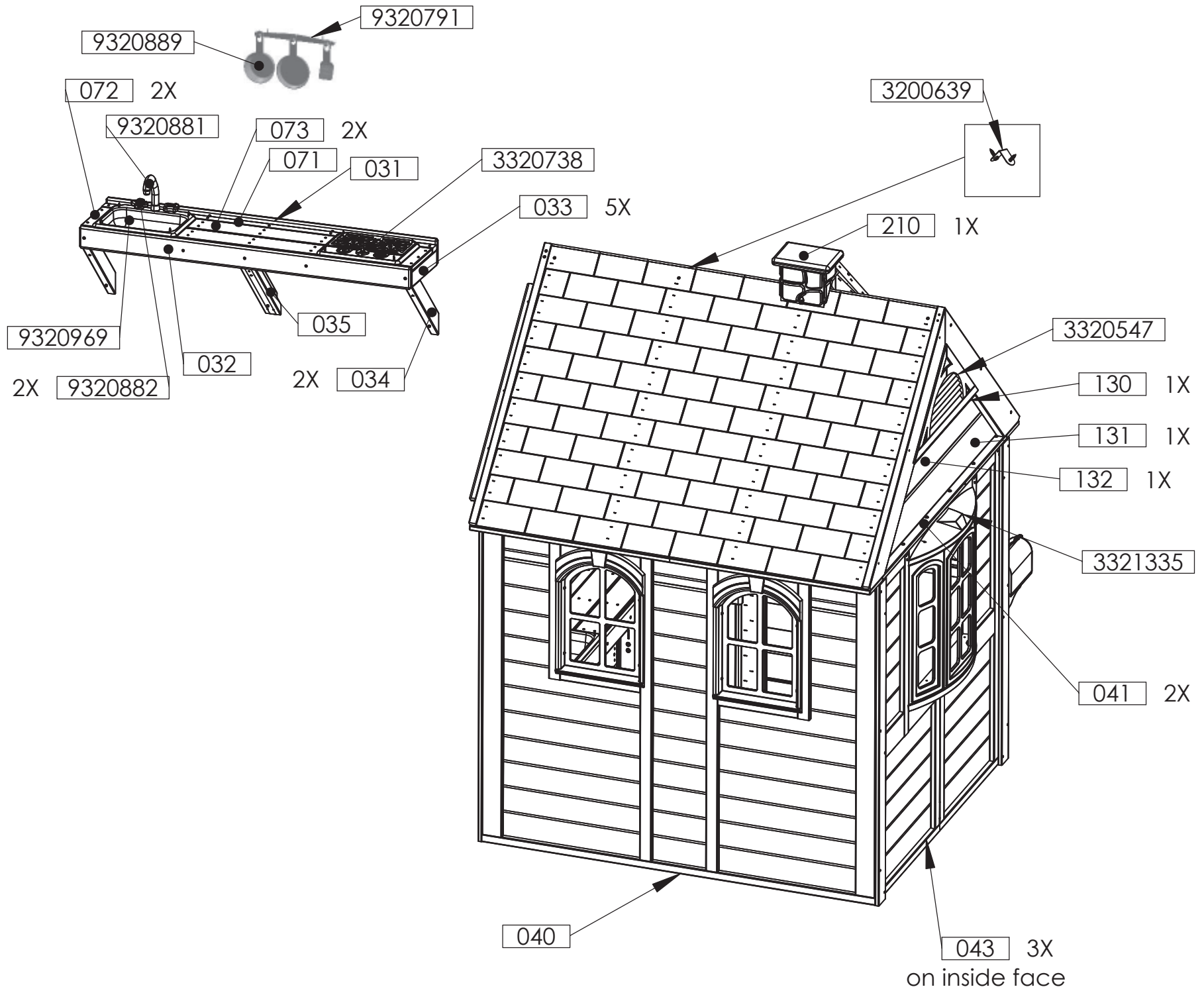
SAVE TIME - TIP #2:

In addition to the key number stamp, you can also identify the wood parts by using the Parts Identification pages in the manual.

HARDWARE:

The majority of each hardware part comes packed in a separate bag so you do not need to sort the hardware. Each assembly step indicates which hardware (bolt, screw, washer etc.) you will require to complete the step.





Part Identification (Reduced Part Size)

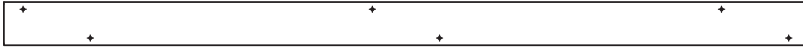
(3) **043** - 25.4 x 25.4 x 482.6 - Panel Tie **FSC** - 48045336 (1 x 1 x 19")



(1) **071** - 15.9 x 34.9 x 1060.4 - Counter Top **FSC** - 48046036 (5/8 x 1-3/8 x 41-3/4")



(4) **110** - 12.7 x 57.2 x 1063.6 - Corner Trim **FSC** - 48046736 (1/2 x 2-1/4 x 41-7/8")



(1) **032** - 15.9 x 69.9 x 1060.4 - Counter Front **FSC** - 48045936 (5/8 x 2-3/4 x 41-3/4")



(1) **031** - 15.9 x 82.6 x 1060.4 - Counter Back **FSC** - 48045836 (5/8 x 3-1/4 x 41-3/4")



(2) **080** - 31.8 x 114.3 x 161.9 - Dormer Gusset **FSC**- 48061036 (1-1/4 x 4-1/2 x 6-3/8")



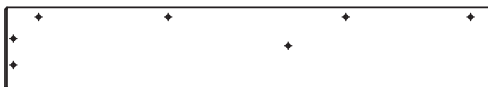
(1) **210** - 23.8 x 133.4 x 184.2 - Chimney Top **FSC** - 48060836 (15/16 x 5-1/4 x 7-1/4")



(2) **041** - 15.9 x 38.1 x 1060.5 - Soffit End **FSC**- 48061736 (5/8 x 1-1/2 x 41-3/4")



(4) **042** - 15.9 x 108 x 641.4 - Soffit Wide **FSC**- 48060936 (5/8 x 4-1/4 x 25-1/4")



(4) **021** - 25.4 x 101.6 x 914.4 - Roof Side **FSC**- 48061136 (1 x 4 x 36")



(1) **132** - 15.9 x 133.4 x 901.7 - Gable End Short **FSC** - 48064436 (5/8 x 5-1/4 x 35-1/2")



(1) **131** - 15.9 x 133.4 x 1168.4 - Gable End **FSC** - 48064336 (5/8 x 5-1/4 x 46")



(1) **121** - 15.9 x 108 x 1171.6 - Gable End **FSC** - 48061836 (5/8 x 4-1/4 x 46-1/8")

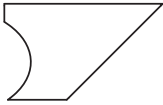


(1) **120** - 15.9 x 108 x 958.9 - Long Cafe Gable **FSC** - 48031736 (5/8 x 4-1/4 x 37-3/4")



Part Identification (Reduced Part Size)

(2) **181** 25.4 x 127 x 209.6 - Dormer Spacer **FSC**- 48061236 (1 x 5 x 8-1/4")



(1) **024** 31.8 x 82.6 x 323.9 - Dormer Cleat **FSC** - 48064536 (1-1/4 x 3-1/4 x 12-3/4")



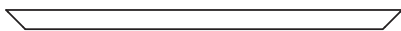
(2) **190** 15.9 x 50.8 x 677.8 - Dormer Gingerbread **FSC** - 48061605 (5/8 x 2 x 19-13/32")



(2) **124** 15.9 x 50.8 x 677.8 - Cafe Gingerbread **FSC** - 48046405 (5/8 x 2 x 26-11/16")



(1) **130** 23.8 x 38.1 x 549.3 - Roof Gable Support **FSC** - 48031336 (15/16 x 1-1/2 x 21-5/8")



(1) **123** 15.9 x 82.6 x 616.1 -Short Cafe Gable **FSC** - 48031436 (5/8 x 3-1/4 x 24-1/4")



(2) **073** 15.9 x 85.7 x 469.9 - Counter Mid Top **FSC** - 48045136 (5/8 x 3-3/8 x 18-1/2")



(1) **061** 23.8 x 63.5 x 127 - Door Latch Block **FSC** - 48031936 (15/16 x 2-1/2 x 5")



(1) **051** 23.8 x 82.6 x 616 - Cafe Table Top **FSC** - 48061536 (5/4 x 4 x 24-1/4")



(2) **072** 15.9 x 50.8 x 171.5 - Counter Side **FSC** - 48045536 (5/8 x 2 x 6-3/4")



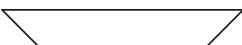
(5) **033** 25.4 x 50.8 x 209.6 - Counter Joist **FSC** - 48045736 (1 x 2 x 8-1/4")



(1) **035** 25.4 x 50.8 x 318.9 - Counter Brace Centre **FSC** - 48045636 (1 x 2 x 12-9/16")



(2) **034** 25.4 x 50.8 x 318.9 - Counter Brace **FSC** - 48046136 (1 x 2 x 12-9/16")



(1) **180** 15.9 x 69.9 x 665.6 - Dormer Bottom **FSC** - 48061436 (5/8 x 2-3/4 x 26-13/64")

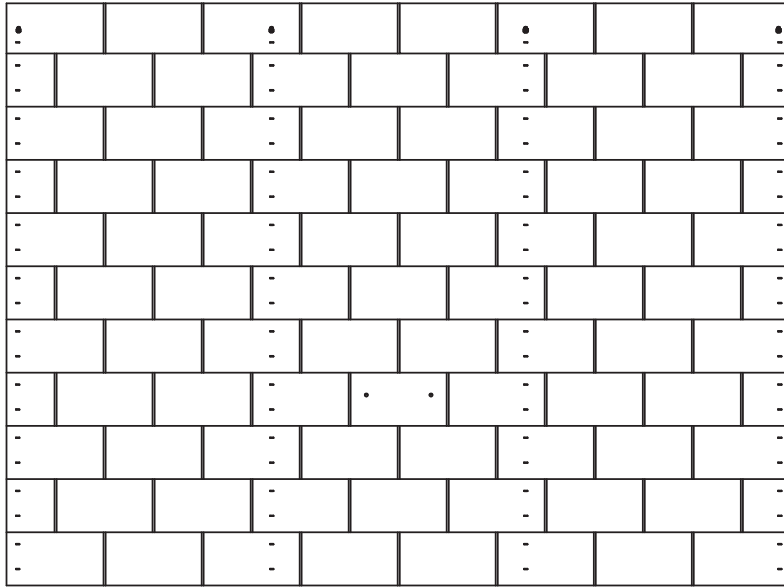


(2) **122** 15.9 x 82.6 x 701.7 - Cafe Roof **FSC** - 48061336 (5/8 x 3-1/4 x 27-5/8")

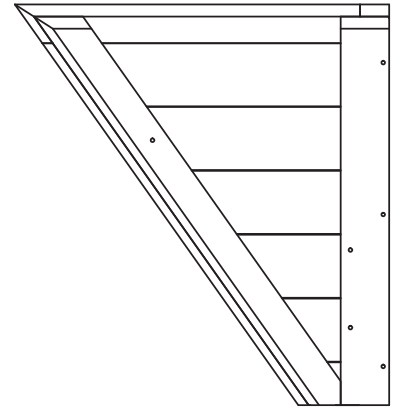


Part Identification (Reduced Part Size)

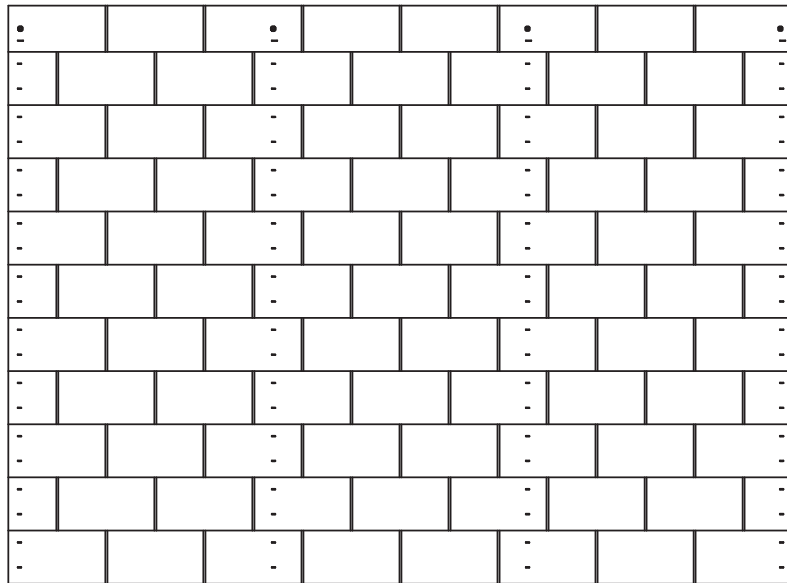
(1) **022** 31.8 x 914.4 x 1231.9 - Roof Front **FSC** - 478059736 (1-1/4 x 36 x 48-1/2")



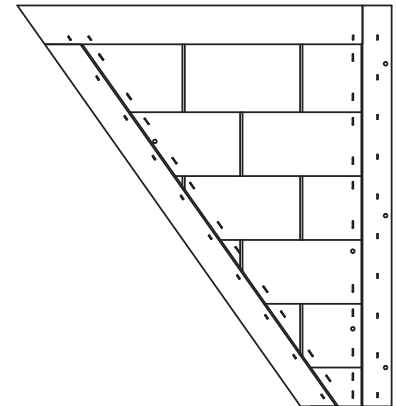
(1) **171** 31.8 x 490.1 x 524.7
(1-1/4 x 19-1/4 x 20-7/8")
Dormer Panel - Right **FSC**
478062036



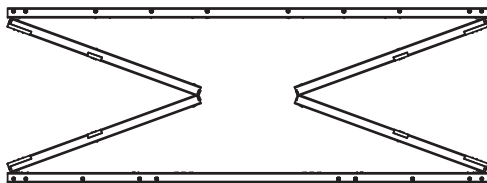
(1) **023** 31.8 x 908.1 x 1231.9 - Roof Back **FSC** - 478059836 (1-1/4 x 35-3/4 x 48-1/2")



(1) **170** 31.8 x 490.1 x 524.7
(1-1/4 x 19-1/4 x 20-7/8")
Dormer Panel - Left **FSC**
478061936



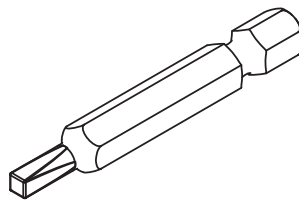
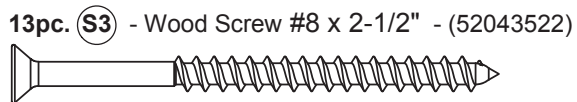
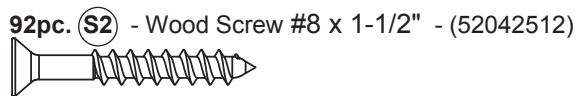
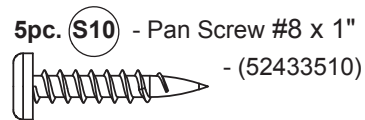
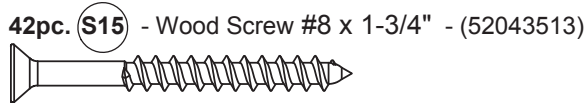
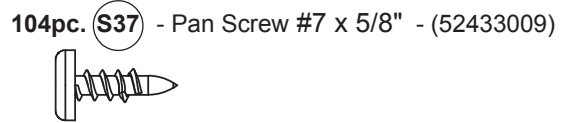
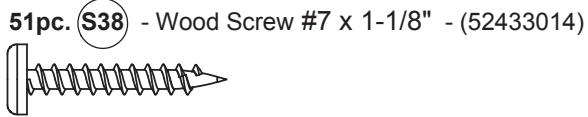
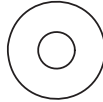
(1) **040** Panel Assembly - 108 x 1257.3 x 1066.8 **FSC** - 478064236 (4-1/4 x 49-1/2 x 42")



Hardware Identification (Actual Size)



2pc. **(FW0)** - 3/16" Flat Washer - (51103100)



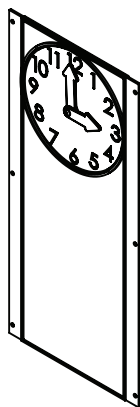
1pc. **(D4)** - 2 x 2 Robertson Driver Bit - (9200014)

Part Identification (Reduced Part Size)

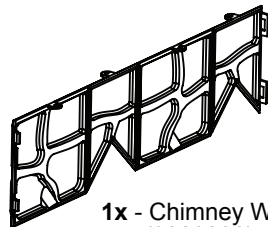


1x - Door Bell 2/Door Trim (3323645)

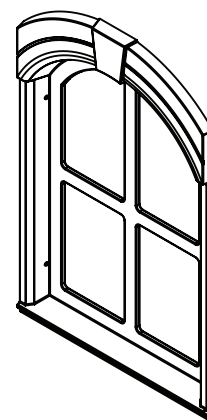
3x - Narrow Angle Bracket (2 Pk) (3200639)



2x - Chalk Clock Sign (3320704)

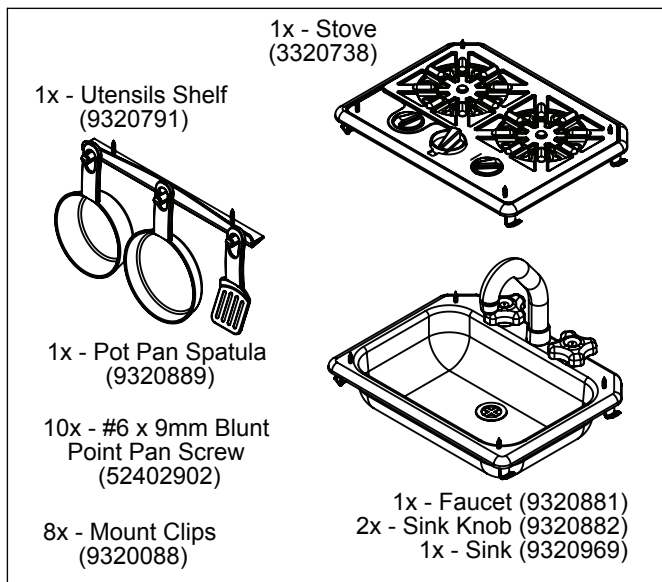


1x - Chimney Wall (9320806)

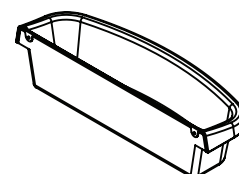


1x - Deep Window (5Pk) (3330539) White

1x - Deluxe Kitchen Set (3320969)

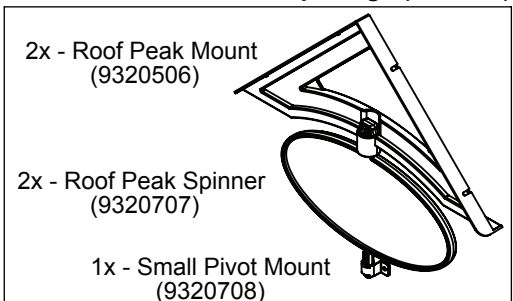


1x - Stove (3320738)
 1x - Utensils Shelf (9320791)
 1x - Pot Pan Spatula (9320889)
 10x - #6 x 9mm Blunt Point Pan Screw (52402902)
 8x - Mount Clips (9320088)
 1x - Faucet (9320881)
 2x - Sink Knob (9320882)
 1x - Sink (9320969)



1x - Flower Box (9321357) Rust Red

1x - Anchored Roof Peak Spin Sign (3330517) -1 Pk



2x - Roof Peak Mount (9320506)

2x - Roof Peak Spinner (9320707)

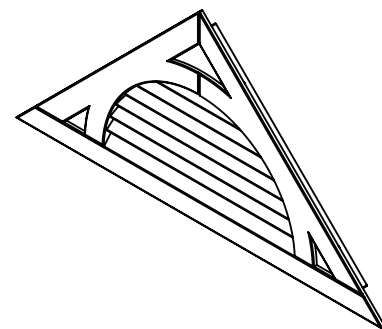
1x - Small Pivot Mount (9320708)



1x - Basket with Food (3330013)

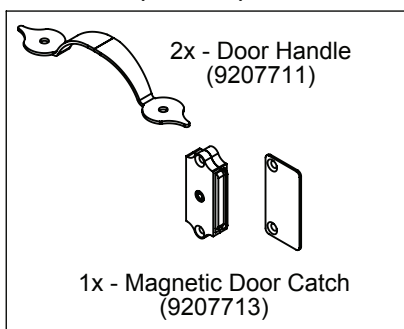


1x - Clicker Phone (3320252)



1x - Small Gable Vent (White) (3320547)

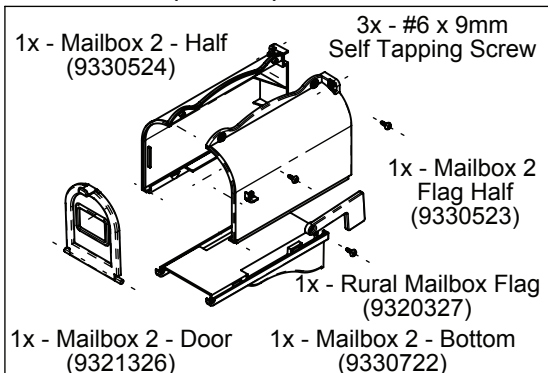
1x - Magnetic Catch Kit (3201730)



2x - Door Handle (9207711)

1x - Magnetic Door Catch (9207713)

1x - Mailbox 2 Set (3321307)



1x - Mailbox 2 - Half (9330524)

3x - #6 x 9mm Self Tapping Screw

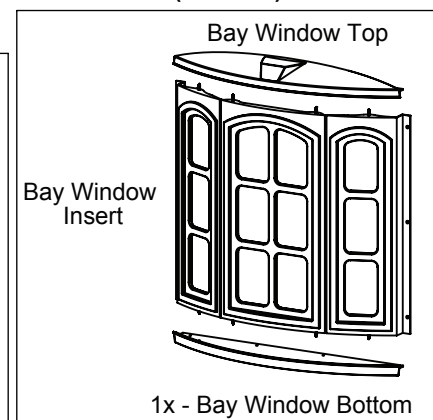
1x - Mailbox 2 Flag Half (9330523)

1x - Rural Mailbox Flag (9320327)

1x - Mailbox 2 - Door (9321326)

1x - Mailbox 2 - Bottom (9330722)

1x - Folding Bay Window Set (3321335)

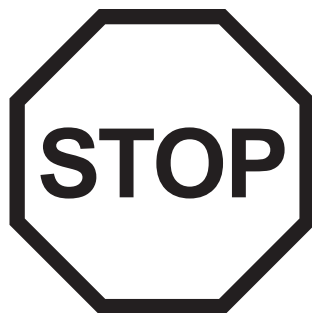
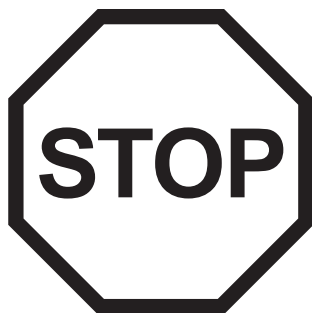
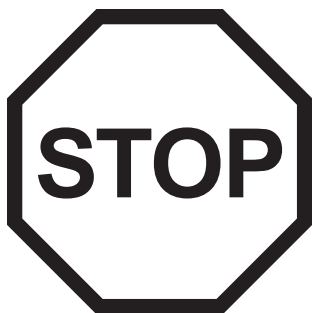


Bay Window Top

Bay Window Insert

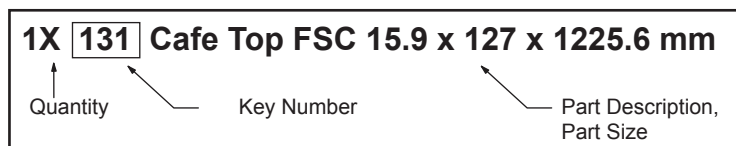
1x - Bay Window Bottom

Step 1: Inventory Parts - Read This Before Starting Assembly



A. This is the time for you to inventory all your hardware, wood and accessories, referencing the parts identification sheets. This will assist you with your assembly.

- The wood pieces will have the key number stamped on the ends of the boards. Organize the wood pieces by step, as per the key numbering system below.



Key Number: The first two digits represent the step number. The third digit represents the piece. Note that if the part is used in multiple steps then the number only reflects the first step it is used in.

- Please refer to Page 3 for proper hardware assembly.
- Each step indicates which bolts and/or screws you will need for assembly, as well as any flat washers, lock washers, t-nuts or lock nuts.

B. If there are any missing or damaged pieces or you need assistance with assembly please contact the consumer relations department directly. Call us before going back to the store.

+31 20 305 8620

europcustomerservice@KidKraft.com

For online parts replacement visit <https://parts.kidkraft.eu/>

C. Read the assembly manual completely, paying special attention to EN71 and ASTM warnings; notes; and safety/maintenance information.

D. Before you discard your cartons fill out the form below.

- The carton I.D. stamp is located on the end of each carton.
- Please retain this information for future reference. You will need this information if you contact the Consumer Relations Department.

MODEL NUMBER: 00401

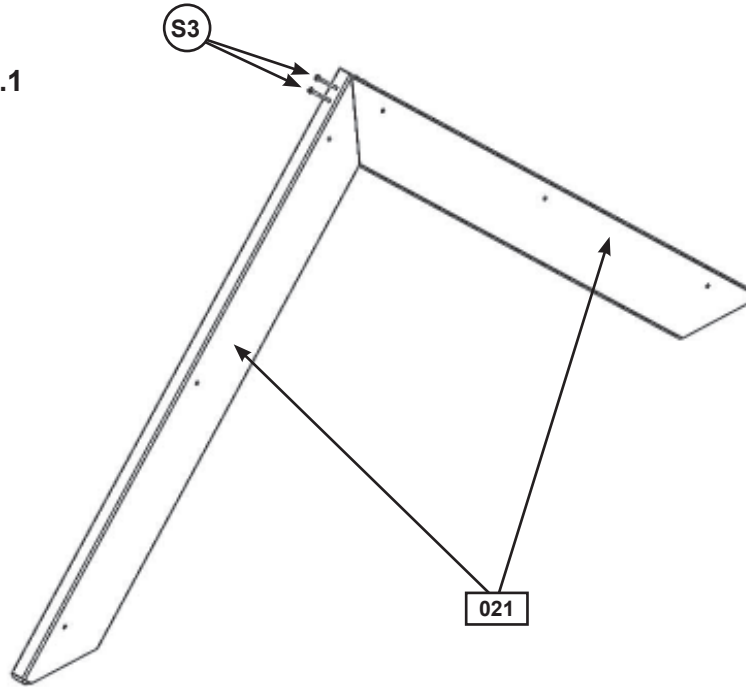
CARTON I.D. STAMP: _ _ _ _ _ 14459 _ (Box 1)

Step 2: Roof Assembly

Part 1

A: Attach 1 (021) Roof Side to another flush at the peak using 2 (S3) #8 x 2-1/2" Wood Screws. Do this twice so you have 2 Roof Support Assemblies. (fig. 2.1)

Fig. 2.1



Wood Parts

4 x **021** Roof Side 1 x 4 x 36"

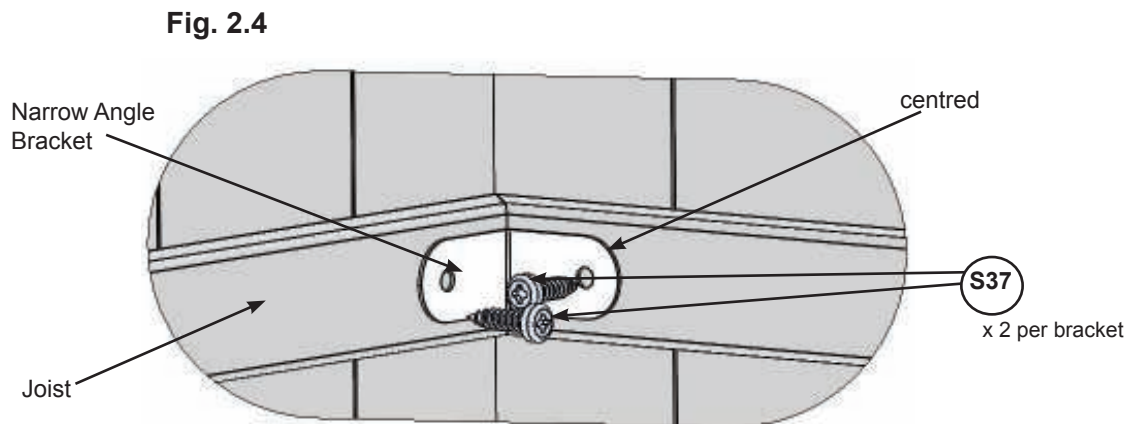
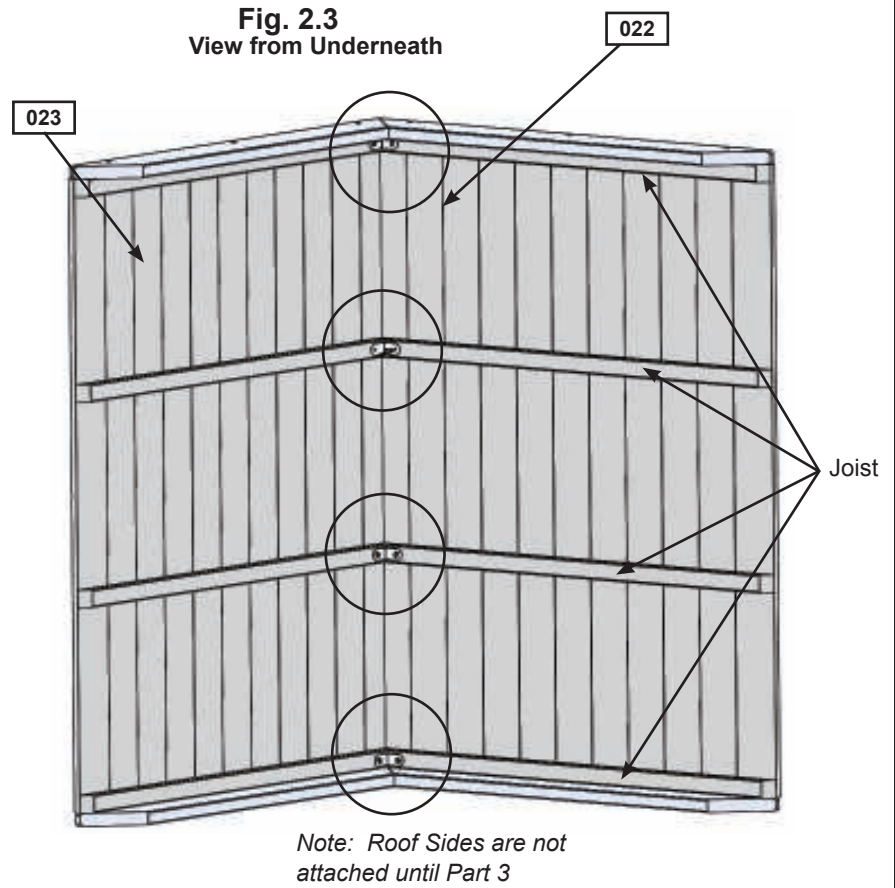
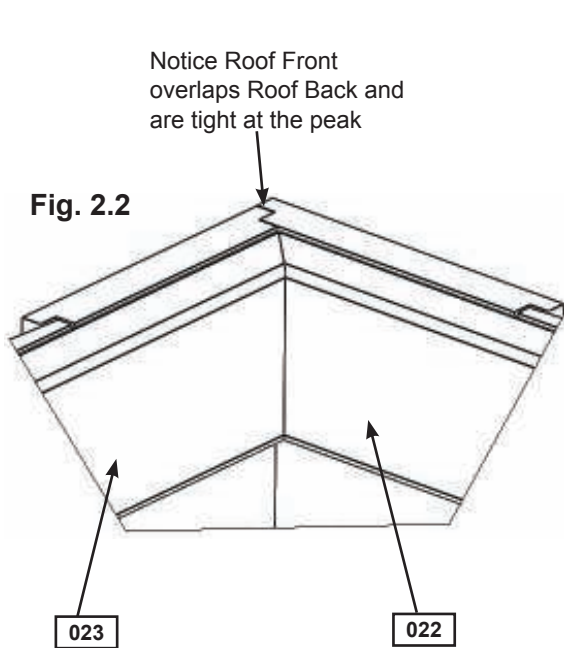
Hardware

4 x **S3** #8 x 2-1/2" Wood Screw

Step 2: Roof Assembly

Part 2

B: Place (022) Roof Front and (023) Roof Back tight together at the peak so (022) Roof Front overlaps (023) Roof Back. From underneath the Roof Assembly centre 1 Narrow Angle Bracket on each Joist and attach with 2 (S37) #7 x 5/8" Pan Screws per bracket as shown in fig. 2.2, 2.3 and 2.4.



Wood Parts

- 1 x 022 Roof Front 1-1/4 x 36 x 48-1/2"
- 1 x 023 Roof Back 1-1/4 x 35-3/4 x 48-1/2"

Hardware

- 8 x S37 #7 x 5/8" Pan Screw

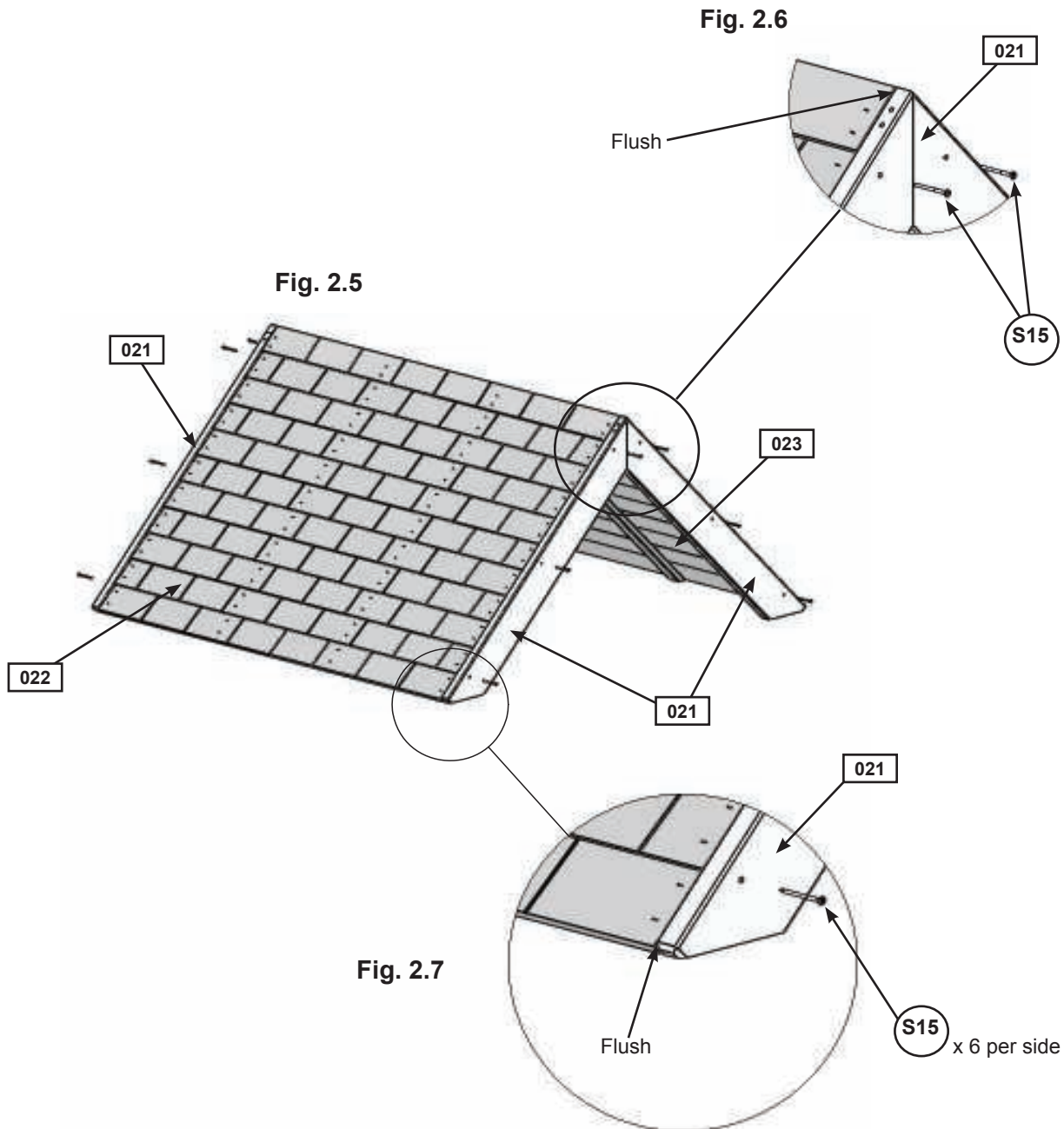
Other Parts

- 4 x Narrow Angle Bracket

Step 2: Roof Assembly Part 3

C: Place Roof Panel Assembly against each of the Roof Support Assemblies so the bottoms are flush and they meet at the peak. (fig. 2.5, 2.6 and 2.7)

D: Attach each Roof Support Assembly to the Roof Panel Assembly with 6 (S15) #8 x 1-3/4" Wood Screws per side. (fig. 2.5, 2.6 and 2.7)

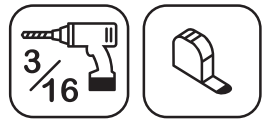


Hardware

12 x (S15) #8 x 1-3/4" Wood Screw

Step 2: Roof Assembly

Part 4



E: On the inside of the assembly on (022) Roof Front find the centre point then on the 4th siding up from the bottom, measure 1-1/2" up from bottom of siding and 2" on each side of the centre line. Pre-drill 2 holes with a 3/16" drill bit at the measured spots. (fig. 2.8)

F: On the outside of the assembly place (024) Dormer Cleat centred over the pre-drilled holes then from the inside attach with 2 (S6) #12 x 1" Pan Screws (with 3/16" flat washer). (fig. 2.9, 2.10 and 2.11)

Fig. 2.8
View from Underneath

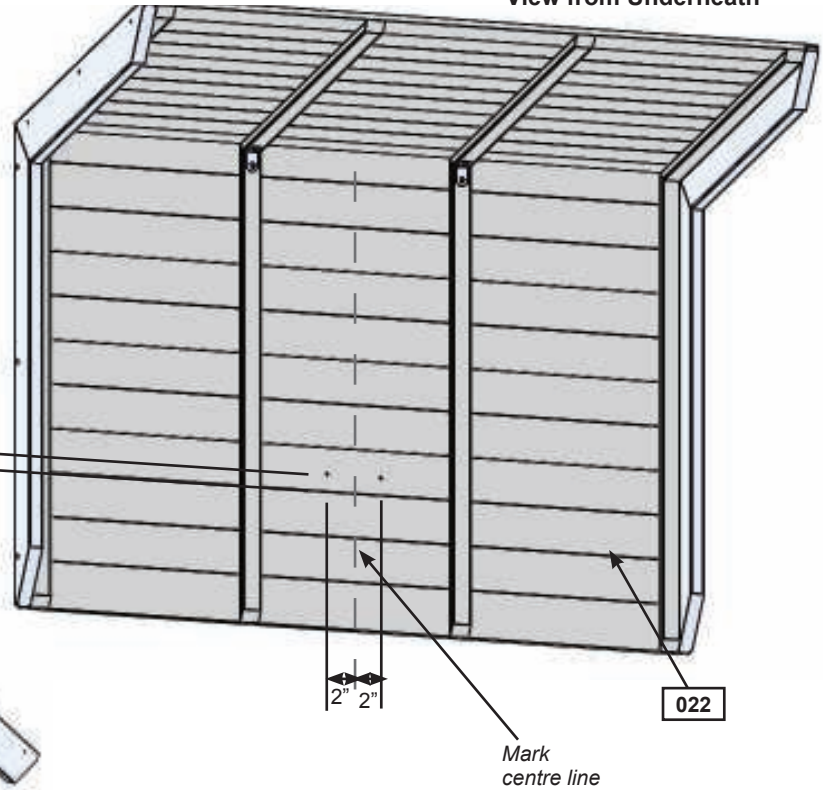


Fig. 2.9

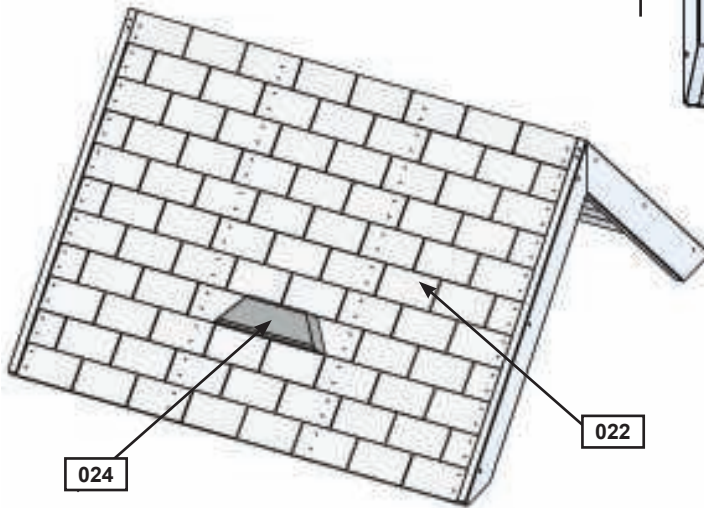


Fig. 2.10

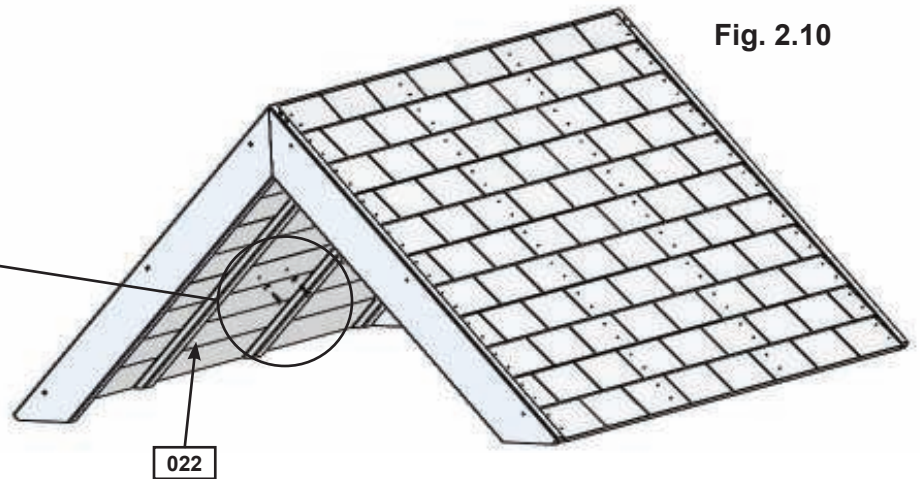
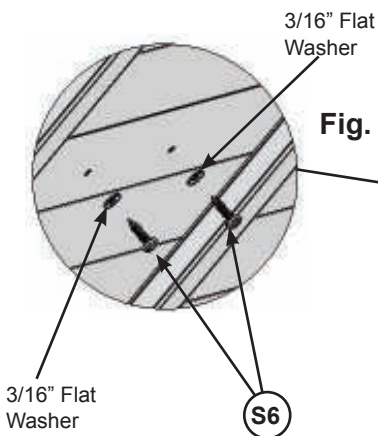


Fig. 2.11



Wood Parts

Hardware

1 x 024 Dormer Cleat 1-1/4 x 3-1/4 x 12-3/4"

2 x S6 #12 x 1" Pan Screw (3/16" flat washer)

Step 3: Counter Assembly

Part 1



A: Flush to each end and to the bottom of (031) Counter Back attach 1 (033) Counter Joist per end with 1 (S2) #8 x 1-1/2" Wood Screw per joist. Notice the holes at the top of (031) Counter Back. (fig. 3.1 and 3.2)

B: Place the remaining 3 (033) Counter Joists centred over the pilot holes in the middle of (031) Counter Back and flush to the bottom of the board. In the bottom holes attach with 1 (S2) #8 x 1-1/2" Wood Screw per joist. (fig. 3.1 and 3.2)

C: Place (032) Counter Front against (033) Counter Joists so the ends are flush and the centre (033) Counter Joists are centred over the pilot holes. Measure 5/8" down from the top of (032) Counter Front on both ends and attach to the (033) Counter Joists with 5 (S2) #8 X 1-1/2" Wood Screws. (fig. 3.1 and fig. 3.2)

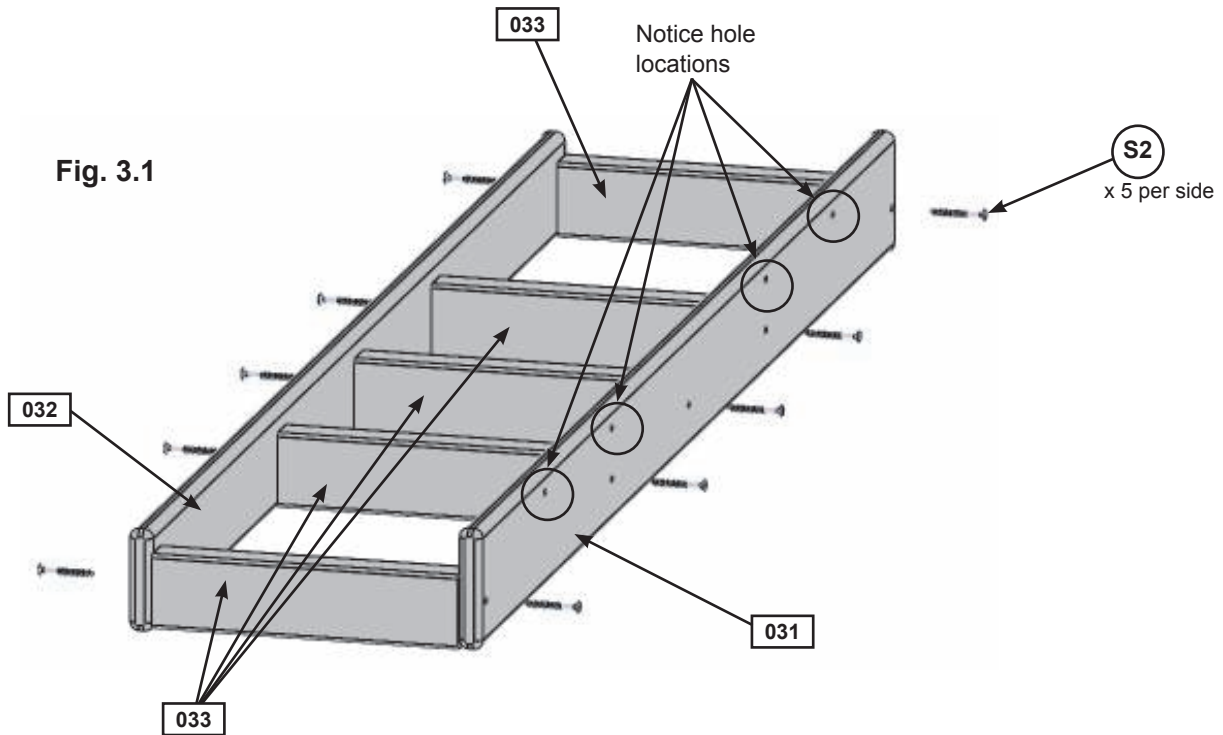
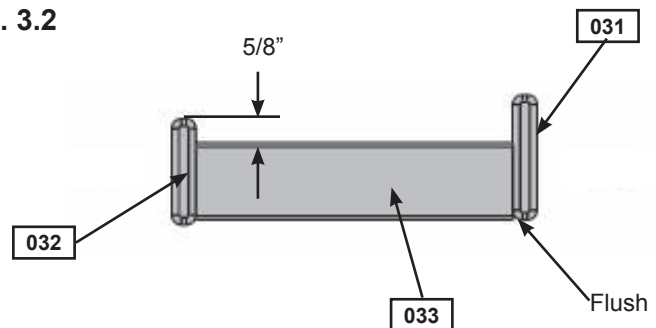


Fig. 3.2



Wood Parts

- 1 x 031 Counter Back 5/8 x 3-1/4 x 41-3/4"
- 1 x 032 Counter Front 5/8 x 2-3/4 x 41-3/4"
- 5 x 033 Counter Joist 1 x 2 x 8-1/4"

Hardware

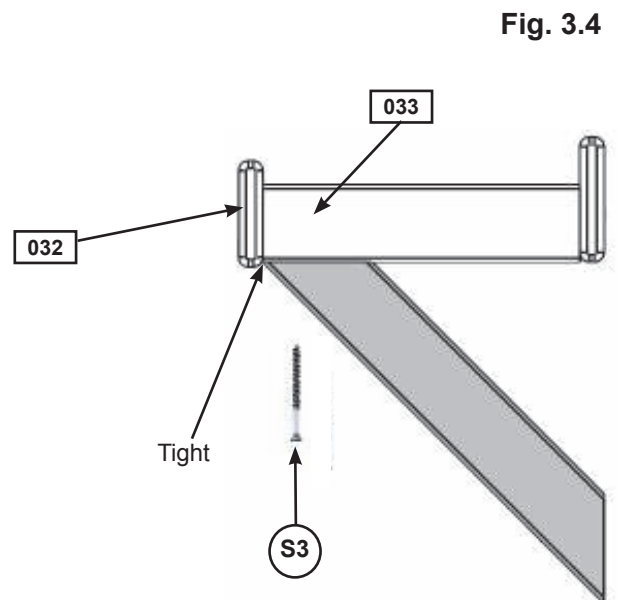
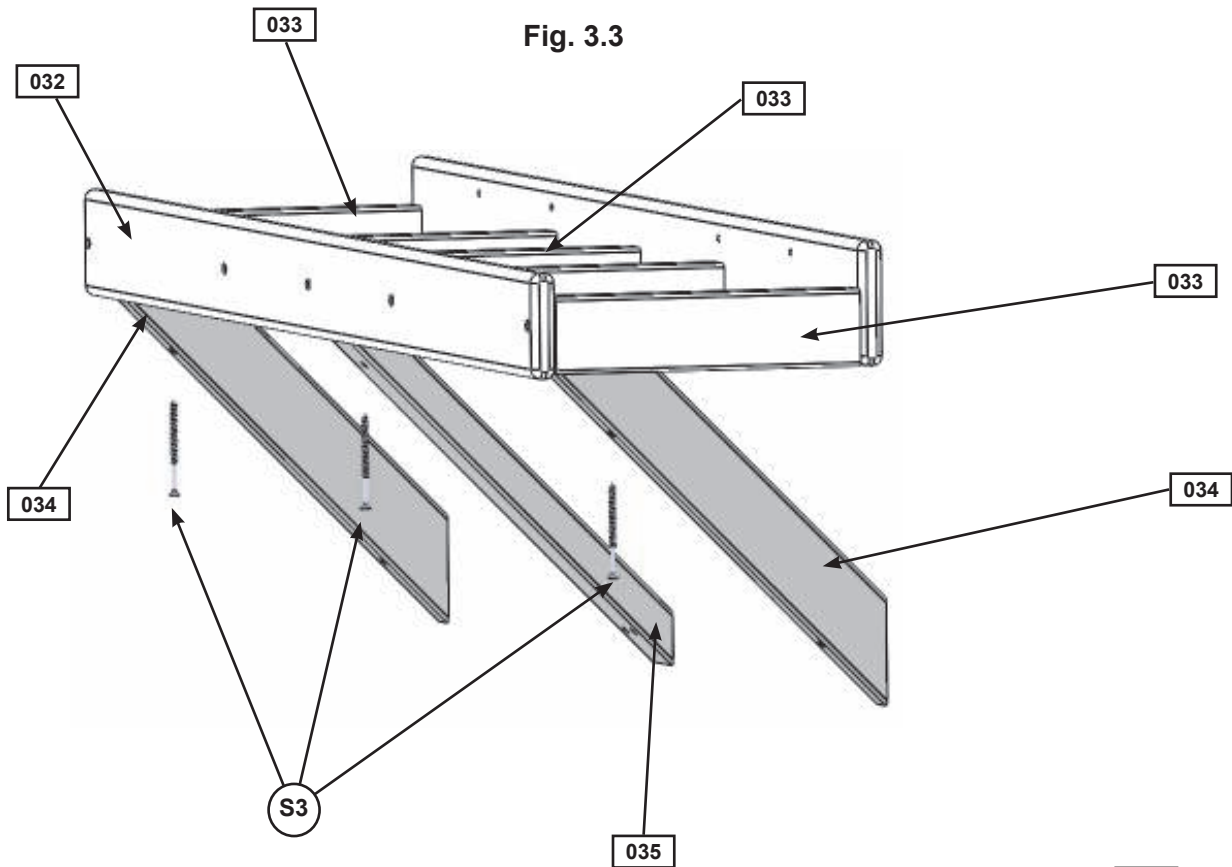
- 10 x S2 #8 x 1-1/2" Wood Screw

Step 3: Counter Assembly

Part 2

D: Place 1 (034) Counter Brace tight to the bottom of each outside (033) Counter Joist, tight to (032) Counter Front and attach using 1 (S3) #8 x 2-1/2" Wood Screw per brace. (fig. 3.3 and 3.4)

E: Place (035) Counter Brace Centre tight to the bottom of the centre (033) Counter Joist, tight to (032) Counter Front and attach using 1 (S3) #8 x 2-1/2" Wood Screw. (fig. 3.3 and 3.4)



Wood Parts

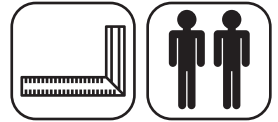
- 2 x 034 Counter Brace 1 x 2 x 12-9/16"
- 1 x 035 Counter Brace Centre 1 x 2 x 12-9/16"

Hardware

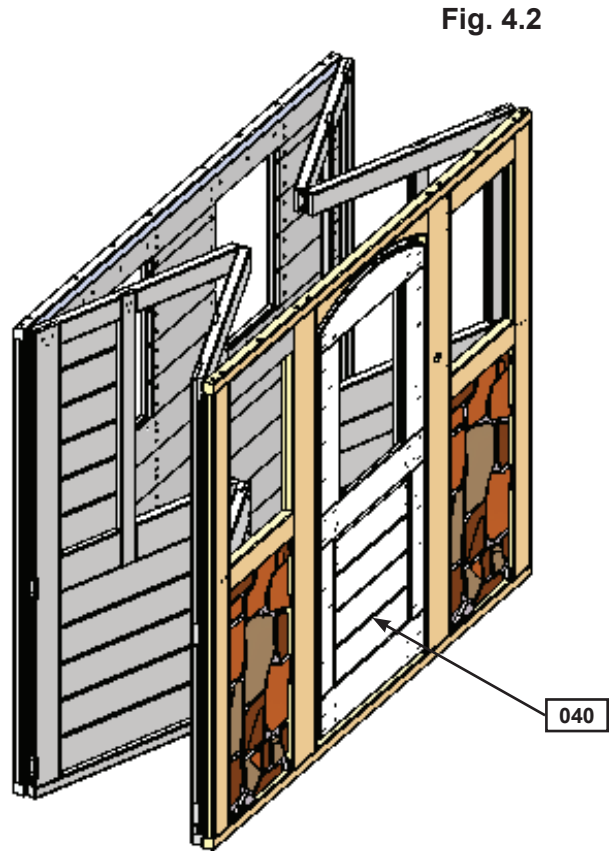
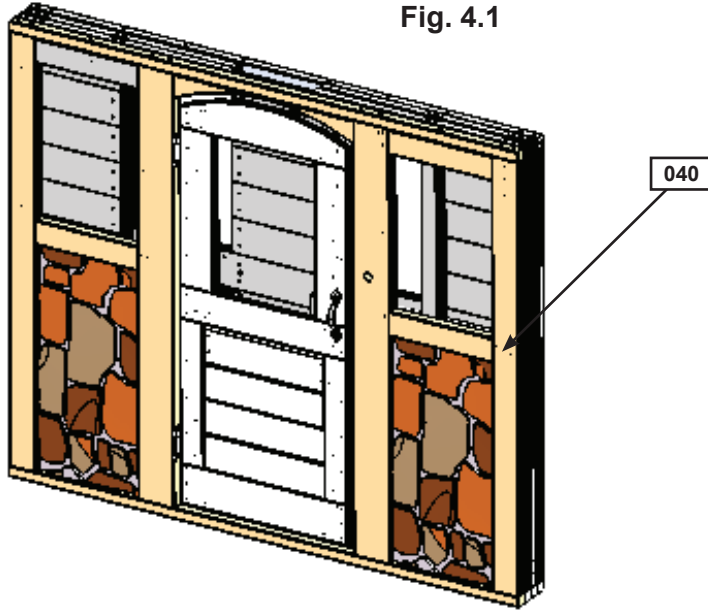
- 3 x S3 #8 x 2-1/2" Wood Screw

Step 4: Frame Assembly

Part 1



A: Stand (040) Panel Assembly up so window openings are at the top then with a helper at the opposite end open (040) Panel Assembly all the way so corners are at a 90 degree angle. (fig. 4.1 and 4.2)



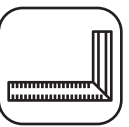
Open frame all the way so all corners are at 90 degrees.

Wood Parts

1 x **040** Panel Assembly 4-1/4 x 49-1/2 x 42"

Step 4: Frame Assembly

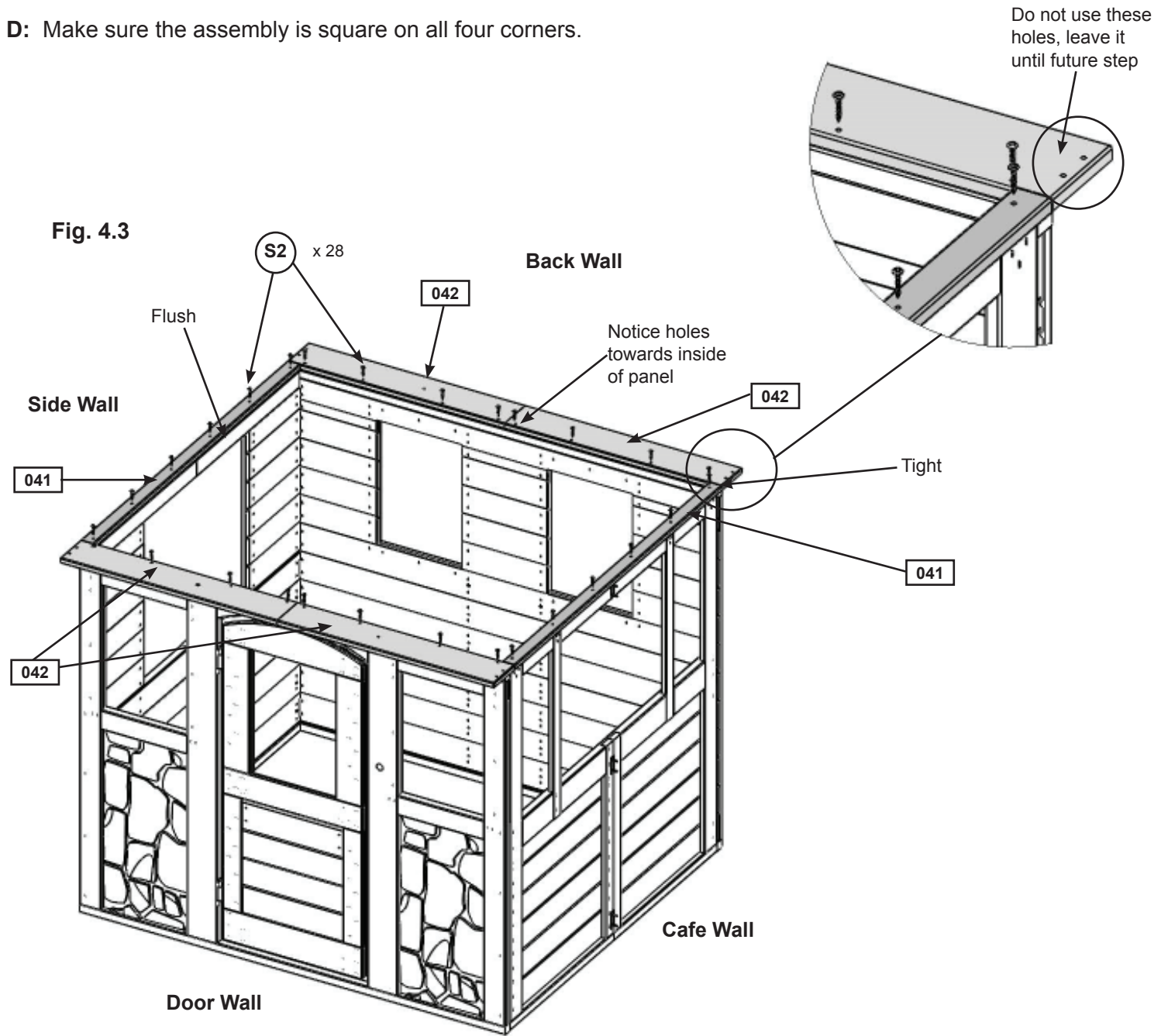
Part 2



B: Flush to the inside face of the Side Wall and Cafe Wall place 1 (041) Soffit End centred in each opening and attach with 6 (S2) #8 x 1-1/2" Wood Screws per board. Notice the holes are towards the inside of the frame. (fig. 4.3)

C: On the Door Wall and Back Wall, tight to each (041) Soffit End and flush to the inside face of each wall attach 2 (042) Soffit Wides to each wall with 4 (S2) #8 x 1-1/2" Wood Screws per board. Notice the holes are towards the inside of the panel. (fig. 4.3)

D: Make sure the assembly is square on all four corners.



Wood Parts

- 2 x 041 Soffit End 5/8 x 1-1/2 x 41-3/4"
- 4 x 042 Soffit Wide 5/8 x 4-1/4 x 25-1/4"

Hardware

- 28 x S2 #8 x 1-1/2" Wood Screw

Step 4: Frame Assembly

Part 3

E: Flush to the bottom and centred on the Side Wall and Cafe Wall attach 1 (043) Panel Tie to each wall with 4 (S15) #8 x 1-3/4" Wood Screws per board. (fig. 4.4, 4.5 and 4.6)

Fig. 4.4
View from Above

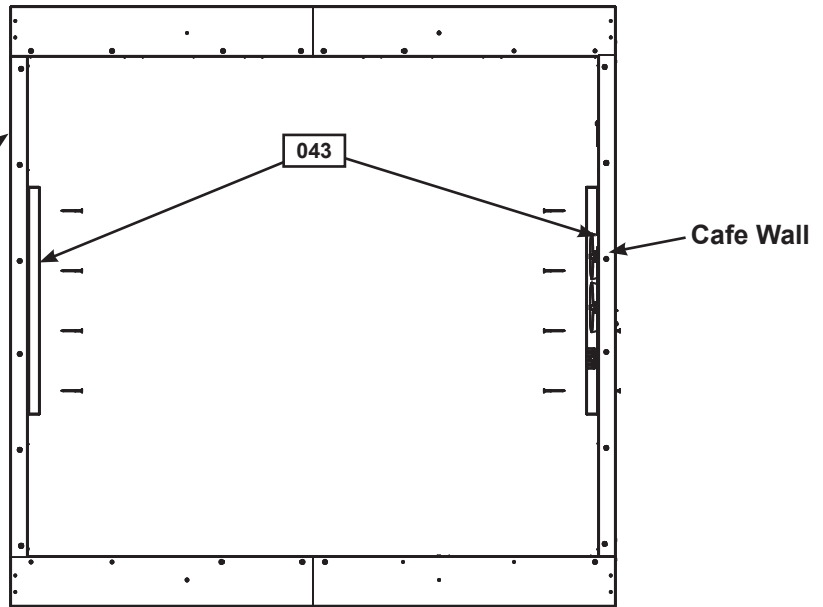


Fig. 4.5
Parts Removed For Clarity

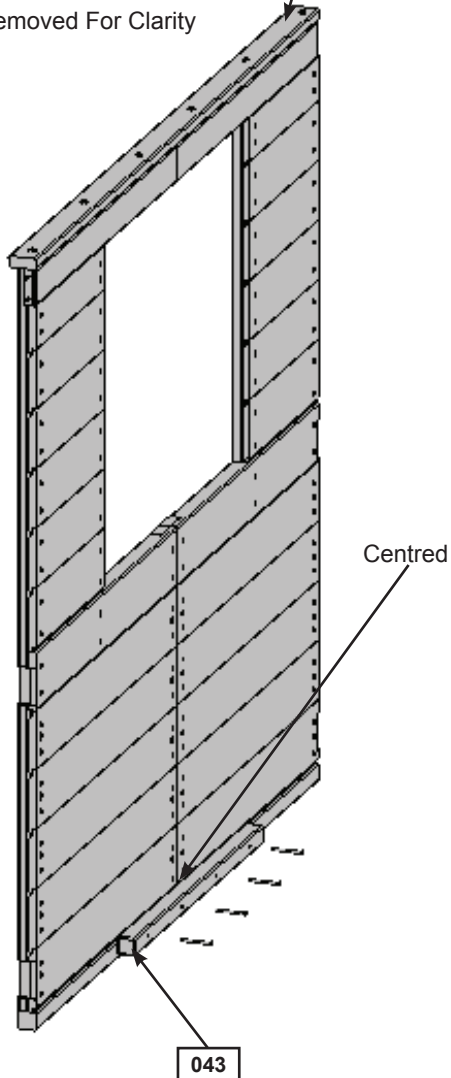
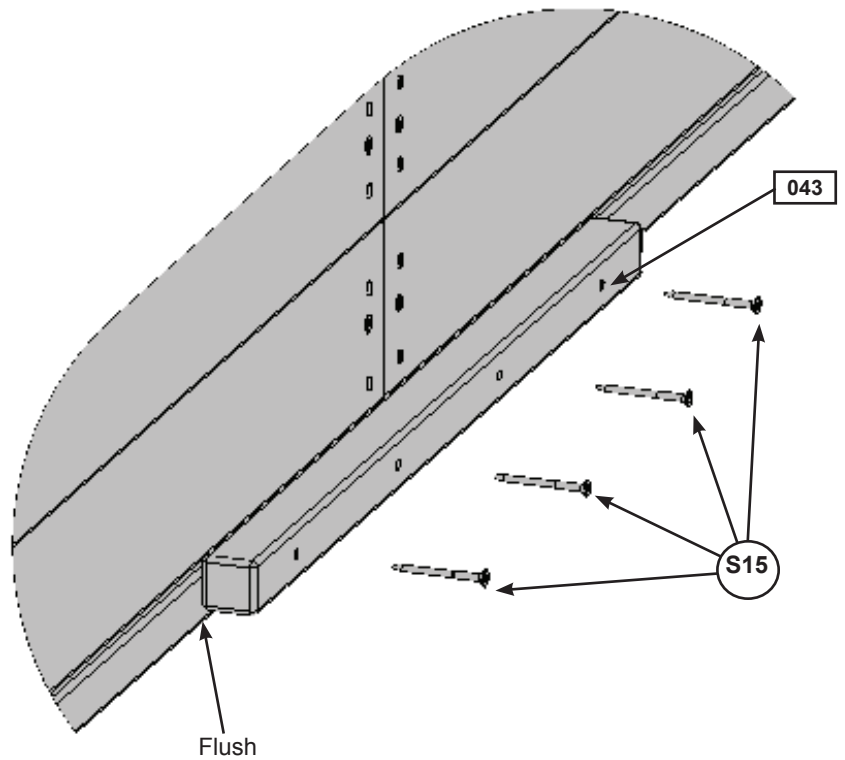


Fig. 4.6



Wood Parts

2 x 043 Panel Tie 1 x 1 x 19"

Hardware

8 x S15 #8 x 1-3/4" Wood Screw

Step 5: Cafe Wall Assembly

Part 1

A: Place (051) Cafe Table Top in large opening of Cafe Wall so the grooves are tight to the wall and attach with 2 (S15) #8 x 1-3/4" Wood Screws in the outside holes. (fig. 5.1 and 5.2)

B: Centred and tight to the bottom of (051) Cafe Table Top attach (043) Panel Tie to Cafe Wall with 4 (S15) #8 x 1-3/4" Wood Screws. (fig. 5.1 and 5.2)

C: Attach (051) Cafe Table Top to (043) Panel Tie with 2 (S15) #8 x 1-3/4" Wood Screws in the middle holes. (fig. 5.1 and 5.2)

Fig. 5.1

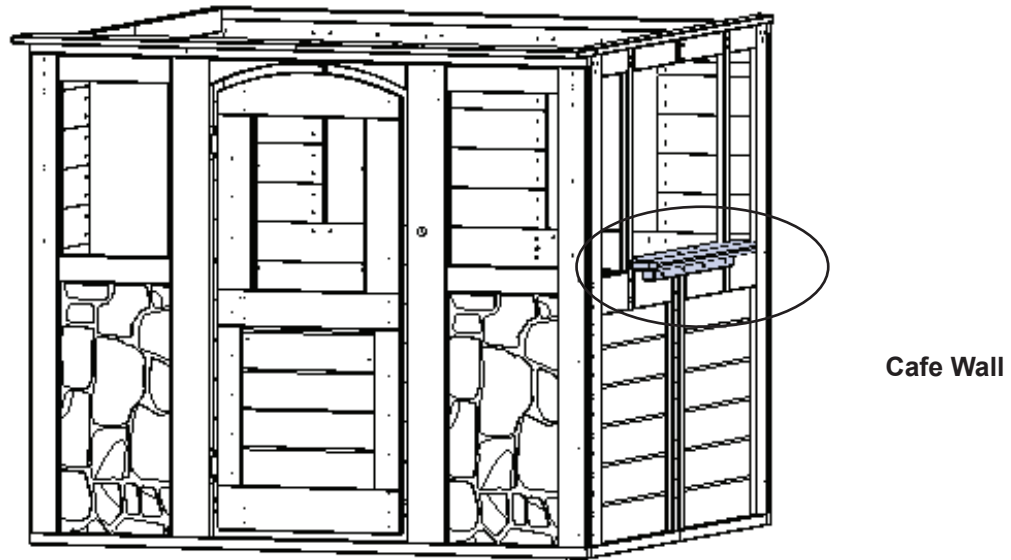
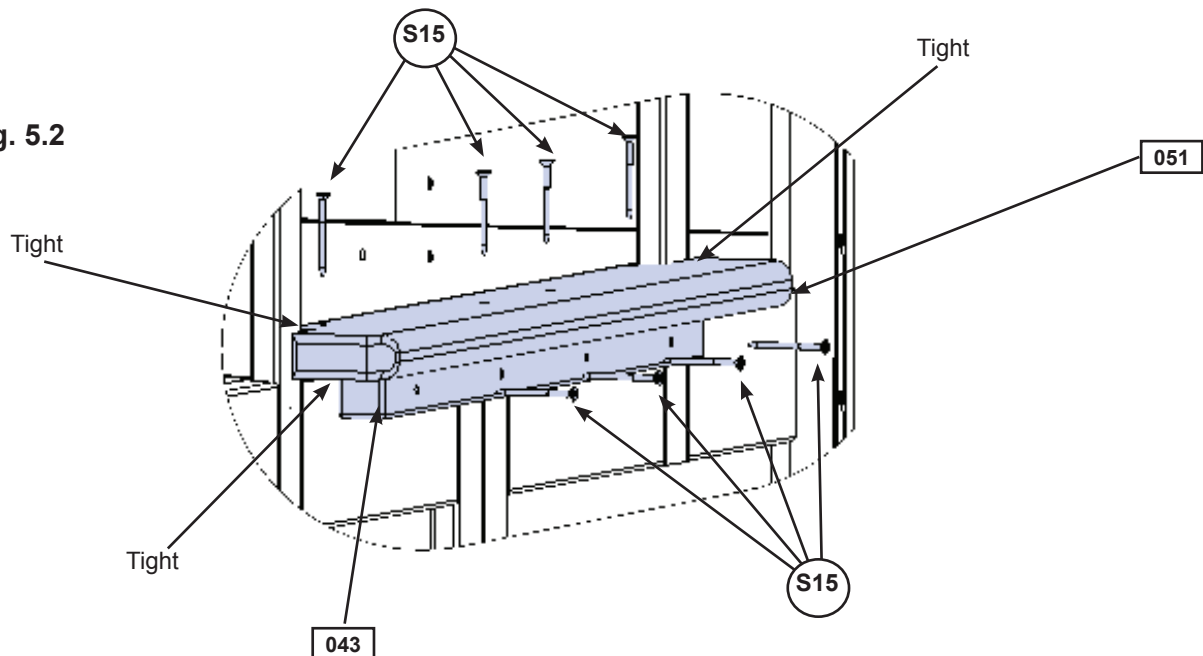


Fig. 5.2



Wood Parts

1 x 051 Cafe Table Top 5/4 x 4 x 24-1/4"

1 x 043 Panel Tie 1 x 1 x 19"

Hardware

8 x S15 #8 x 1-3/4" Wood Screw

Step 5: Cafe Wall Assembly Part 2

D: From inside the assembly, centred in the large opening of the Cafe Wall attach Utensil Shelf with 2 (S37) #7 x 5/8" Pan Screws as shown in fig. 5.3, 5.4 and 5.5.

E: Attach Pot, Pan and Spatula to the Utensil Shelf. (fig. 5.3)

F: From inside the assembly place 1 Clock Chalk Sign in each side opening of the Cafe Wall so the top is tight to the opening and attach with 6 (S37) #7 x 5/8" Pan Screws per sign. Reverse signs so one clock is facing in and the other out. (fig. 5.3, 5.5 and 5.6).

Fig. 5.3
Outside View

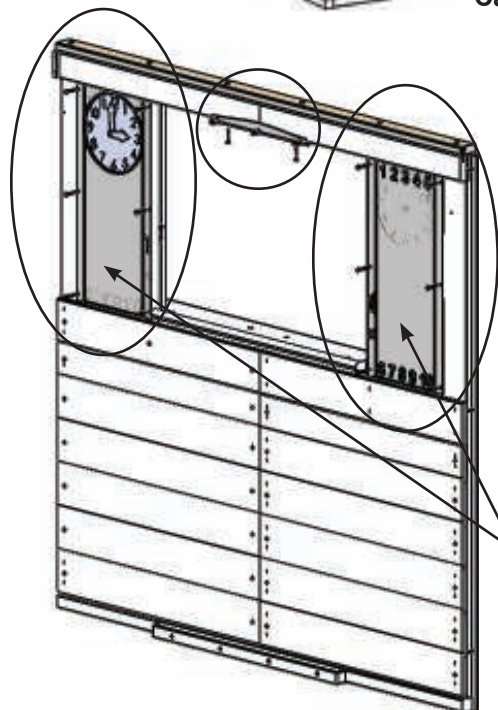
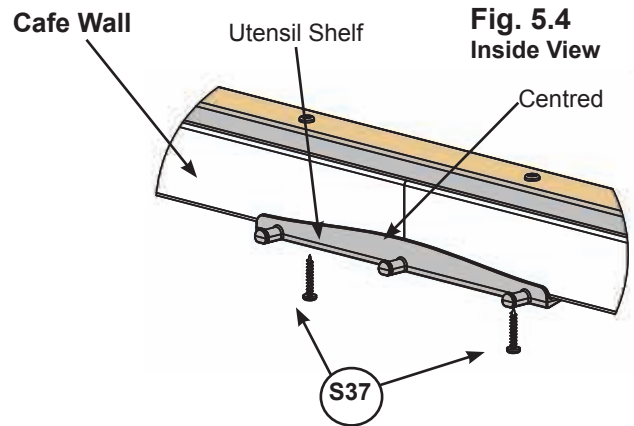
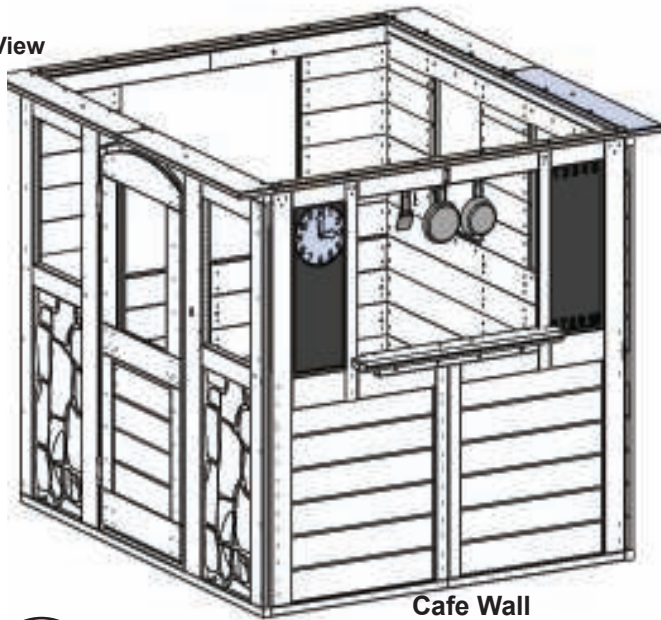


Fig. 5.5
Inside View

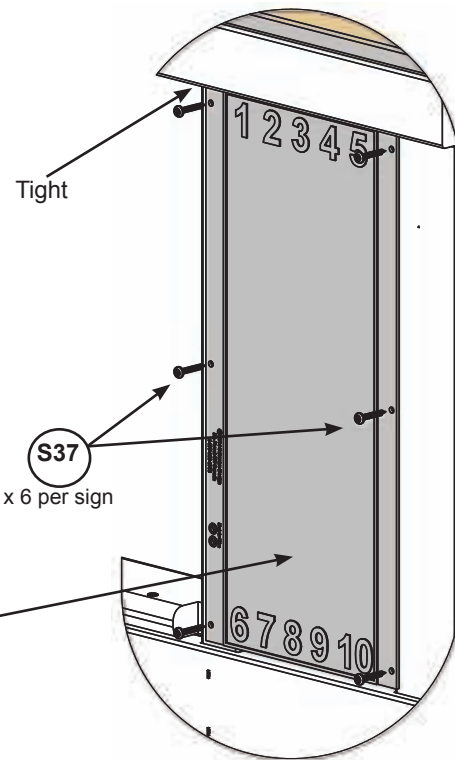


Fig. 5.6
Inside View

Clock Chalk Sign

Hardware

14 x (S37) #7 x 5/8" Pan Screw

Other Parts

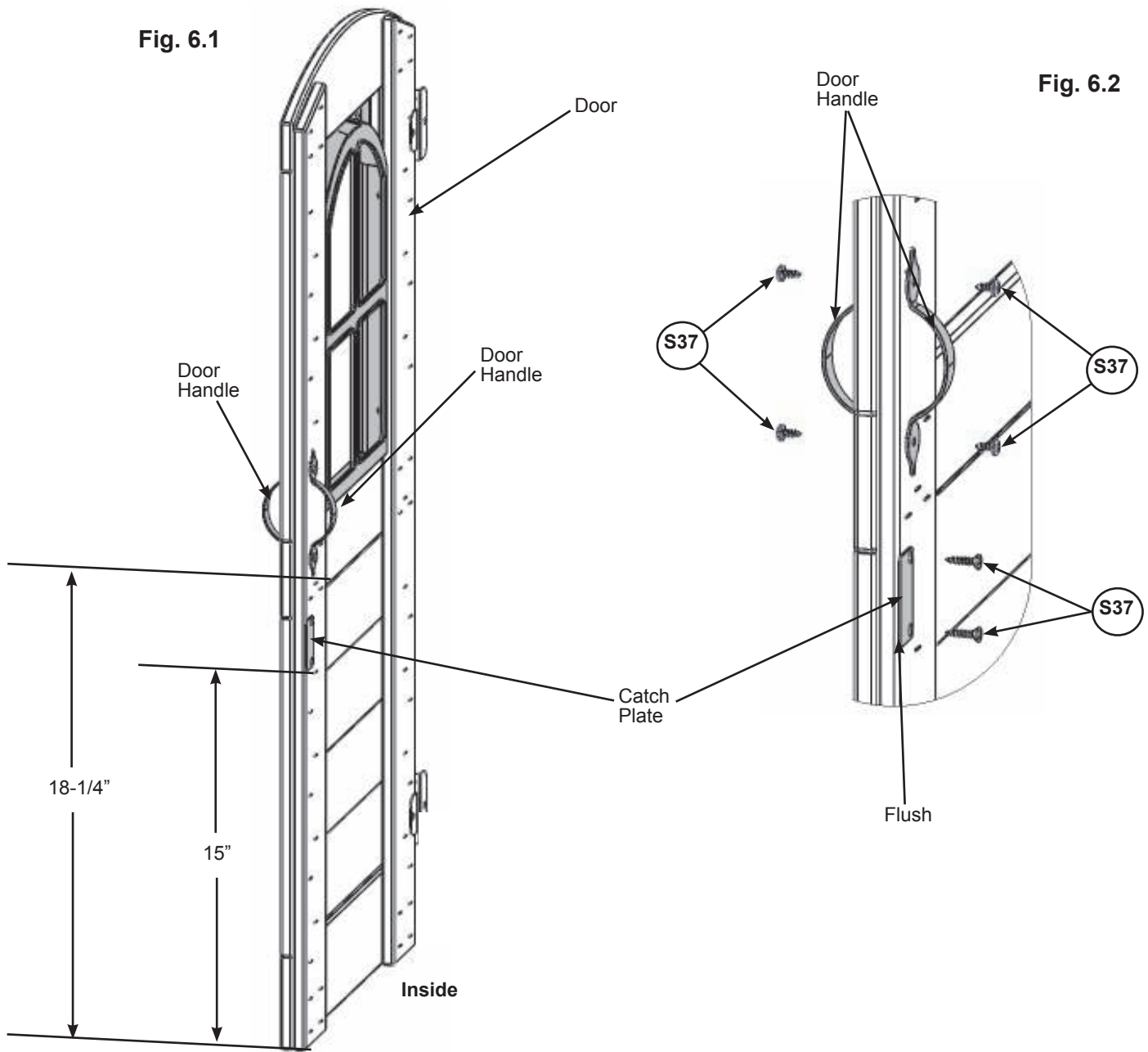
- 1 x Utensil Shelf
- 1 x Pot
- 1 x Pan
- 1 x Spatula
- 2 x Clock Chalk Sign

Step 6: Attach Door Panel Accessories Part 1



A: Measure 18-1/4" up from the bottom of the Door on the outside and inside and attach 1 Door Handle per side using 2 (S37) #7 x 5/8" Pan Screws per handle. (fig. 6.1 and 6.2)

B: Measure 15" up from the bottom of the Door on the inside and attach 1 Catch Plate flush to the outside edge of the Door using 2 (S37) #7 x 5/8" Pan Screws. (fig. 6.1 and 6.2)



Hardware

6 x (S37) #7 x 5/8" Pan Screw

Other Parts

2 x Door Handle

1 x Catch Plate

Step 6: Attach Door Panel Accessories Part 2



C: In the notched out opening of (061) Door Latch Block attach the Magnetic Catch using 2 (S38) #7 x 1-1/8" Pan Screws. (fig. 6.3 and 6.4) **Important:** Use a hand held screw driver and **DO NOT** over tighten.

D: From inside the assembly centre (061) Door Latch Block on Catch Plate so the Magnetic Catch and the Catch Plate can connect then attach to Door Wall with 2 (S15) #8 x 1-3/4" Wood Screws. (fig. 6.3 and 6.4)

Note: Install 2 AAA/LR03 batteries in Doorbell 2 prior to attaching to assembly. To replace batteries remove back cover on Doorbell 2, remove both batteries, insert 2 new batteries ensuring the proper polarity is observed then replace back cover.

E: From inside the assembly insert Doorbell 2 into the hole in the Door Wall and attach with 2 (S38) #7 x 1-1/8" Pan Screws. (fig. 6.3 and 6.4)

F: On the outside of the assembly place Doorbell Trim over the hole in the Door Wall so when you press it the doorbell rings then attach with 2 (S37) #7 x 5/8" Pan Screws as shown in fig. 6.5.

G: Above the Door Bell attach 1 Clicker Phone (with holder) using 2 (S37) #7 x 5/8" Pan Screws. (fig. 6.3 and 6.4)

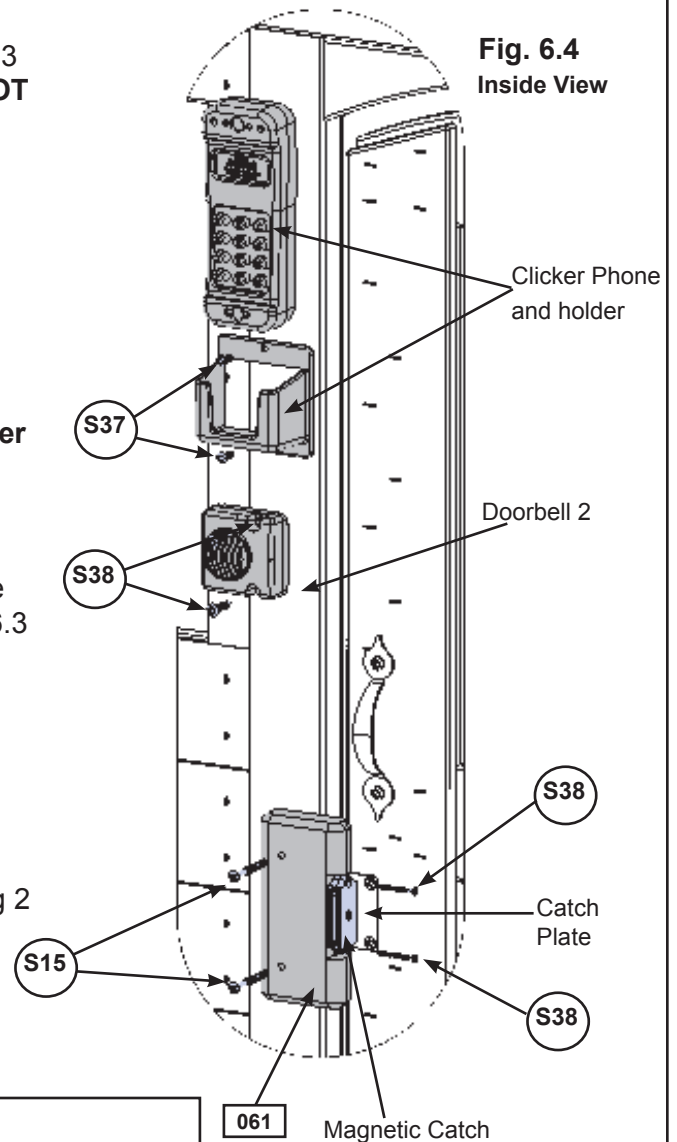


Fig. 6.4
Inside View

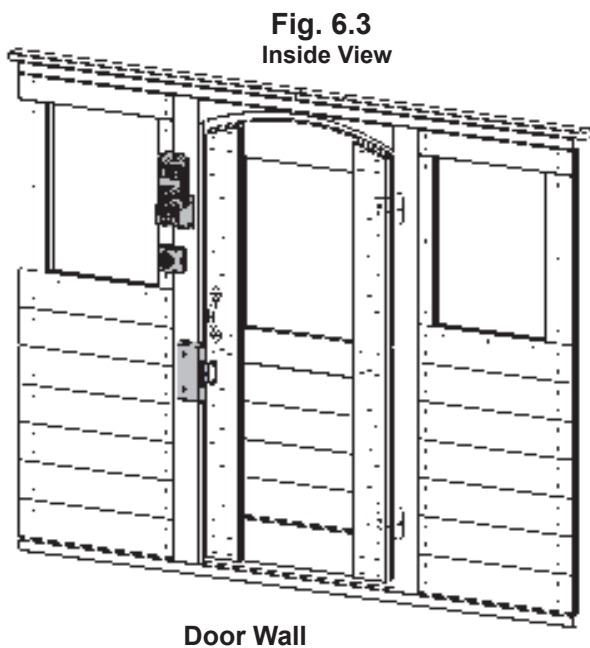


Fig. 6.3
Inside View

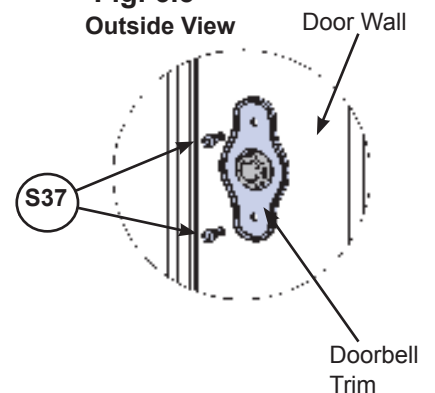
Door Wall

Note:

- Use only AAA/LR03 batteries (not included)
- Always replace the whole set of batteries at one time, taking care not to mix old and new batteries.
- Do not mix batteries of a different type such as, alkaline, standard (carbonized) or rechargeable (nickel-cadmium batteries)
- Remove batteries if consumed or if product is to be left unused for long periods of time.



Fig. 6.5
Outside View



Wood Parts

1 x (061) Door Latch Block 15/16 x 2-1/2 x 5"

Hardware

- 4 x (S38) #7 x 1-1/8" Pan Screw
- 4 x (S37) #7 x 5/8" Pan Screw
- 2 x (S15) #8 x 1-3/4" Wood Screw

Other Parts

- 1 x Magnetic Catch
- 1 x Door Bell 2 Set
- 1 x Clicker Phone

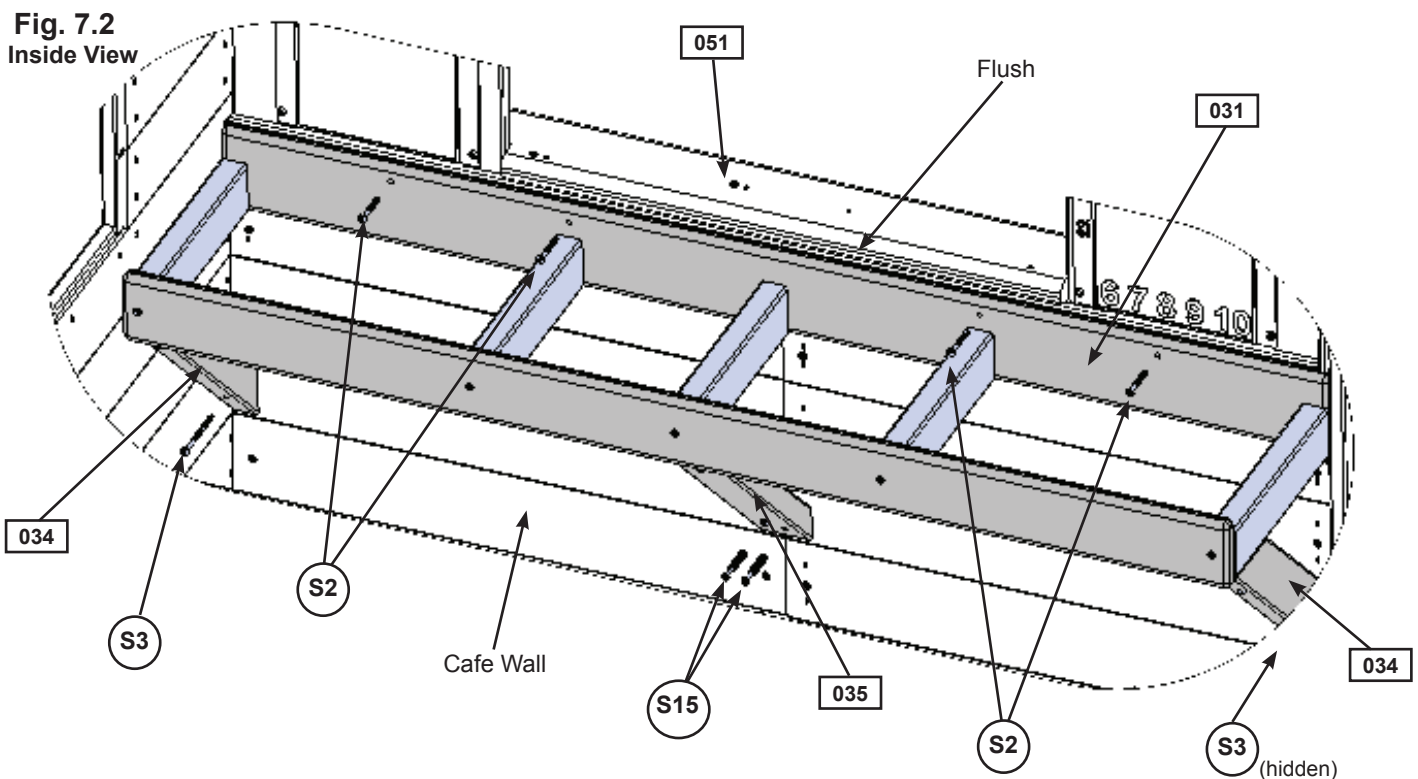
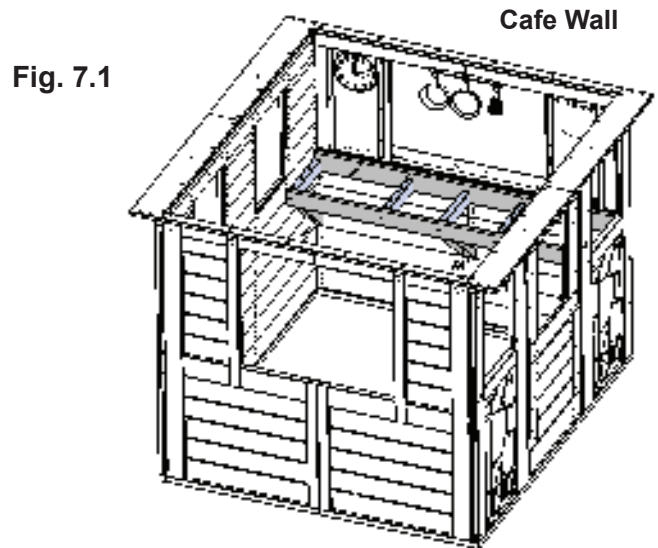
Step 7: Attach Counter Assembly Part 1



A: On the inside of the playhouse assembly place Counter Assembly from Step 3 against the Cafe Wall. The top of (031) Counter Back should be flush and level to the bottom of (051) Cafe Table Top. (fig. 7.1 and 7.2)

B: Attach (031) Counter Back to Cafe Wall with 4 (S2) #8 x 1-1/2" Wood Screws. (fig. 7.2)

C: Attach both (034) Counter Braces to Cafe Wall with 1 (S3) #8 x 2-1/2" Wood Screw per brace and (035) Counter Brace Centre to Cafe Wall with 2 (S15) #8 x 1-3/4" Wood Screws. (fig. 7.2)



Hardware

- 4 x (S2) #8 x 1-1/2" Wood Screw
- 2 x (S3) #8 x 2-1/2" Wood Screw
- 2 x (S15) #8 x 1-3/4" Wood Screw

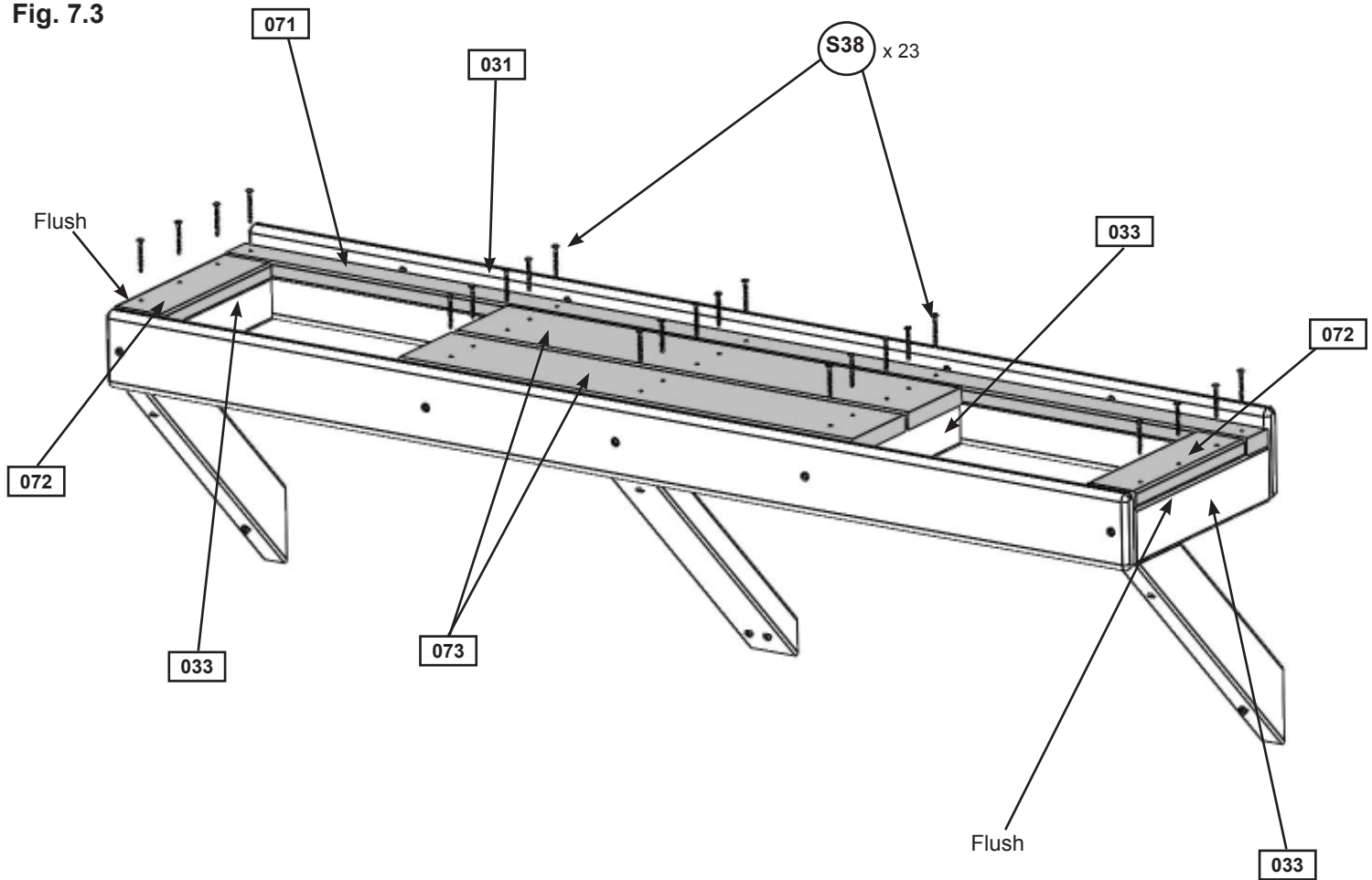
Step 7: Attach Counter Assembly Part 2

D: Tight to (031) Counter Back attach (071) Counter Top to each (033) Counter Joist with 5 (S38) #7 x 1-1/8" Pan Screws. (fig. 7.3)

E: Tight to (071) Counter Top and flush to the outside edges of the outer (033) Counter Joists attach 1 (072) Counter Side per joist with 3 (S38) #7 x 1-1/8" Pan Screws per board. (fig. 7.3)

F: Tight to (071) Counter Top and centred over the middle 3 (033) Counter Joists attach 2 (073) Counter Mid Tops with 6 (S38) #7 x 1-1/8" Pan Screws per board. (fig. 7.3)

Fig. 7.3



Wood Parts

- 1 x 071 Counter Top 5/8 x 1-3/8 x 41-3/4"
- 2 x 072 Counter Side 5/8 x 2 x 6-3/4"
- 2 x 073 Counter Mid Top 5/8 x 3-3/8 x 18-1/2"

Hardware

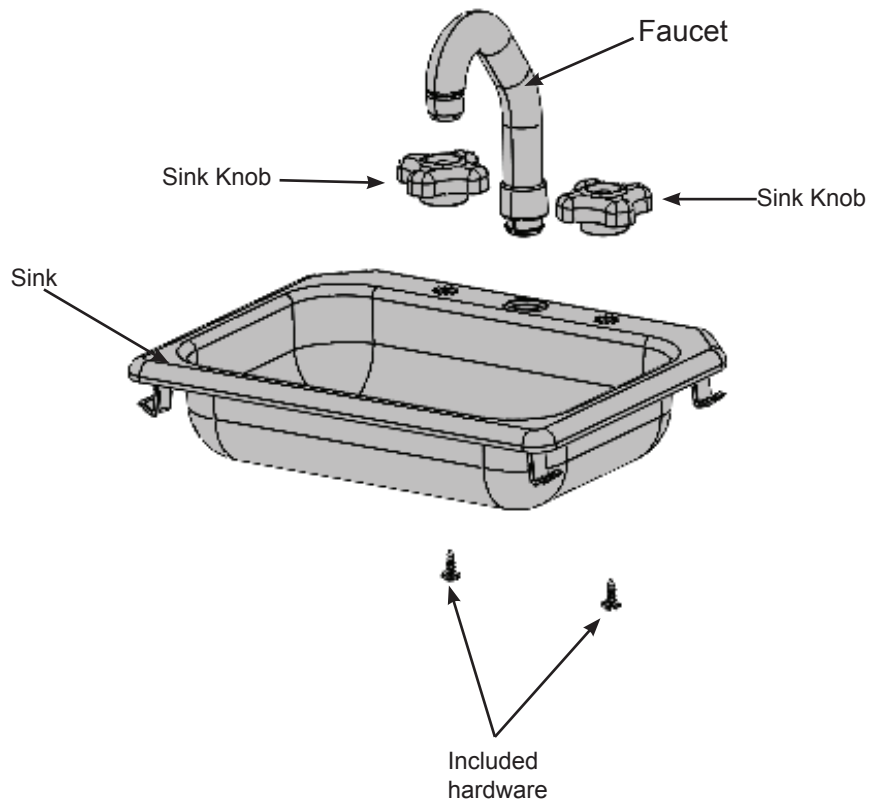
- 23 x S38 #7 x 1-1/8" Pan Screw

Step 7: Attach Counter Assembly Part 3

G: Place Faucet and 2 Sink Knobs in opening of Sink and attach Sink Knobs with included hardware. (fig. 7.4)

Important: Use a hand held screw driver and **DO NOT** over tighten.

Fig. 7.4



Other Parts

1 x Sink
2 x Sink Knobs
1 x Faucet

Step 7: Attach Counter Assembly Part 4

H: Place Sink and Stove in the openings of the Counter Assembly then attach 4 Mount Clips with included hardware to the bottom of the Sink and Stove to secure in place. (fig. 7.5 and 7.6)

Important: Use a hand held screw driver and **DO NOT** over tighten.

Note: To remove the Sink or Stove loosen screw 1/4 turn then twist Mount Clips.

Fig. 7.5

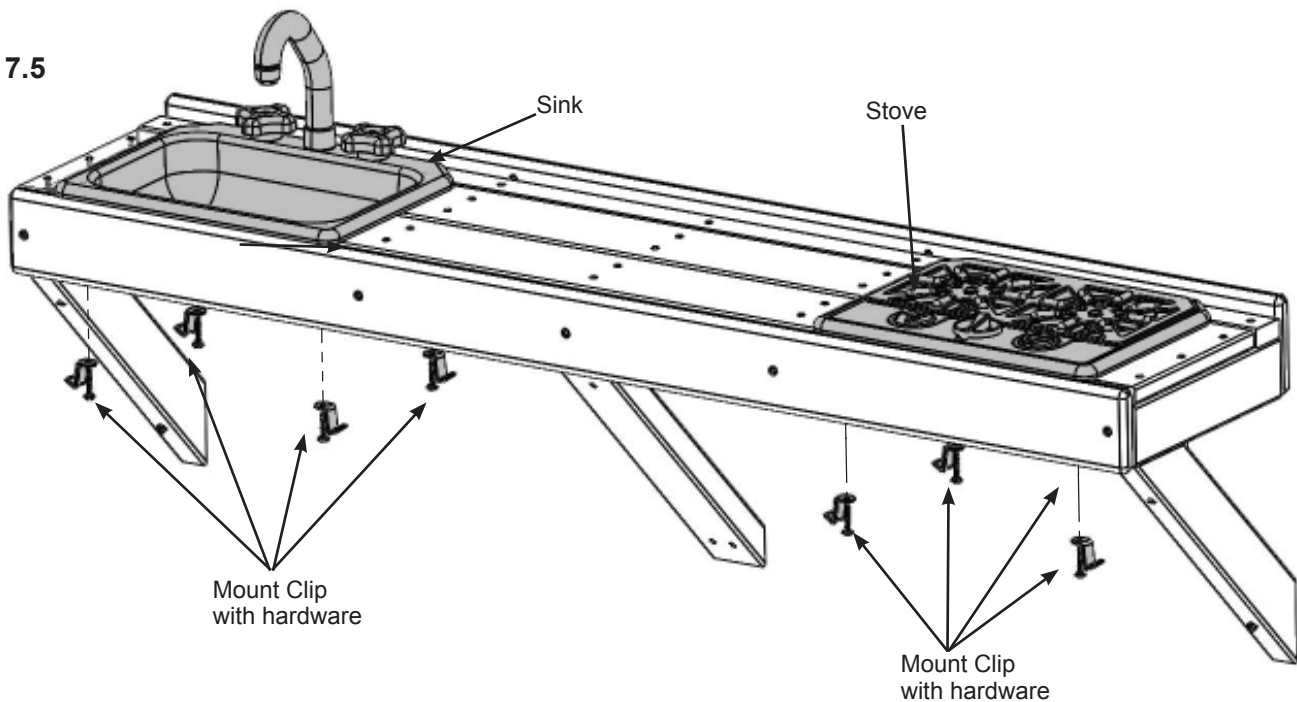
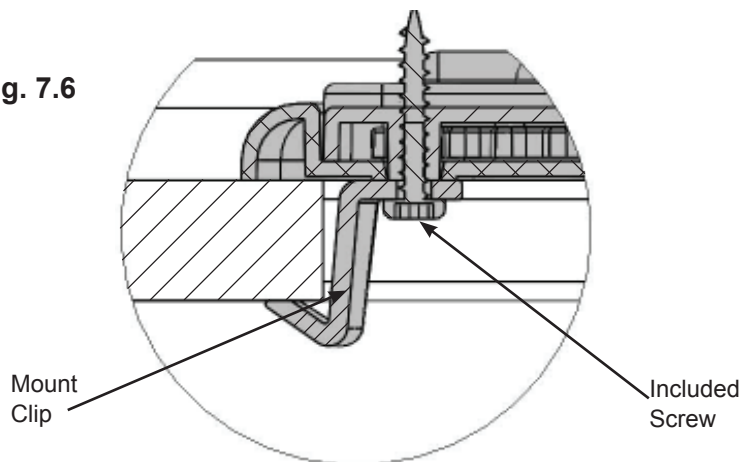


Fig. 7.6



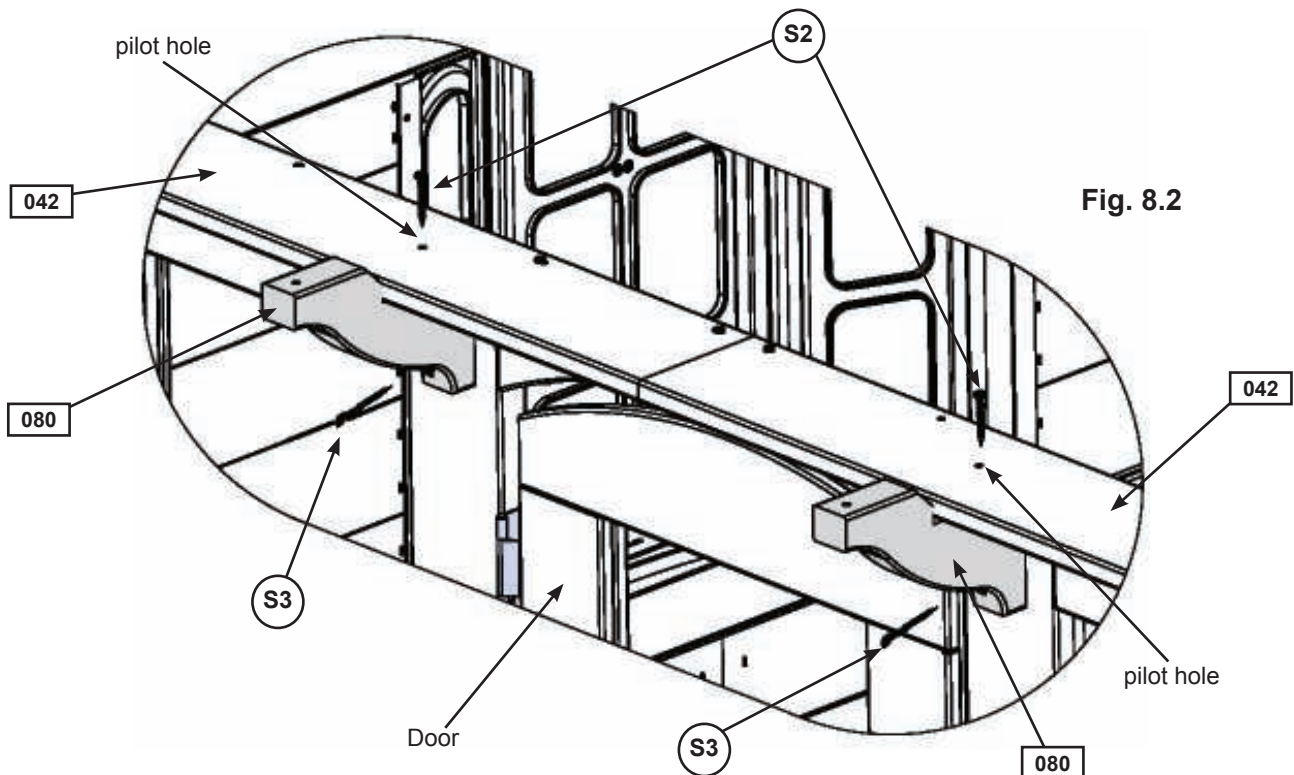
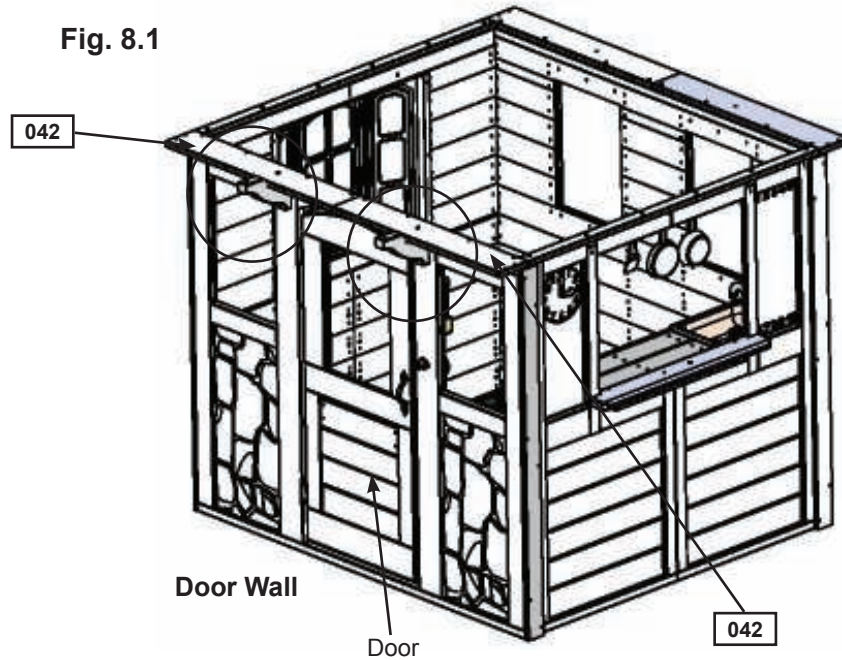
Other Parts

1 x Stove
8 x Mount Clip

Step 8: Attach Dormer Gussets

A: On the Door Wall place 1 (080) Dormer Gusset tight against the panel on both sides of the Door and centred under the pilot holes in each (042) Soffit Wide. From the top attach with 1 (S2) #8 x 1-1/2" Wood Screw per gusset and from the bottom attach with 1 (S3) #8 x 2-1/2" Wood Screw per gusset. The bottom screws to be installed at an angle. (fig. 8.1 and 8.2)

Fig. 8.1



Wood Parts

2 x 080 Dormer Gusset 1-1/4 x 4-1/2 x 6-3/8"

Hardware

2 x S2 #8 x 1-1/2" Wood Screw

2 x S3 #8 x 2-1/2" Wood Screw

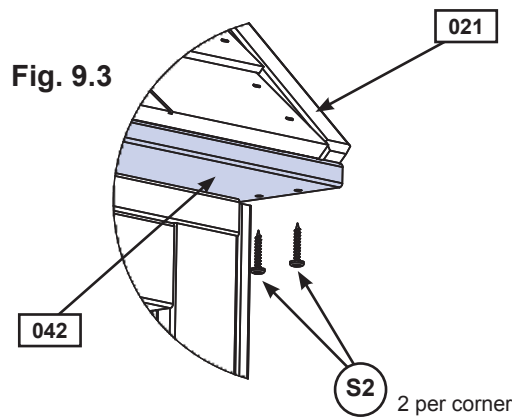
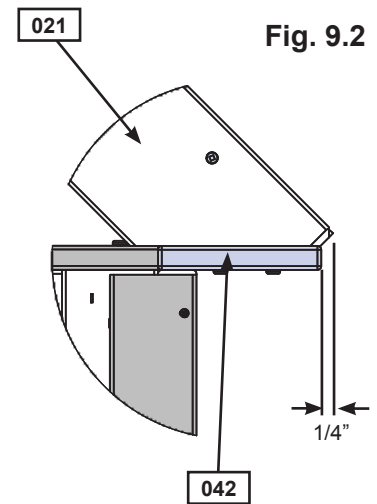
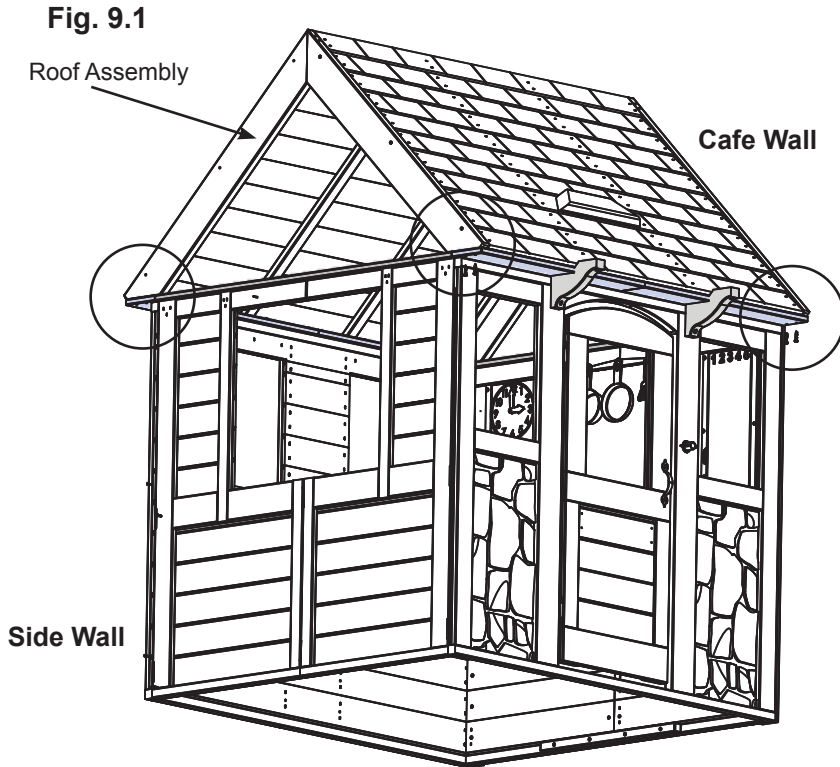
Step 9: Attach Roof to Assembly



Make sure assembly is square before proceeding in this Step.

A: With an adult helper lift the Roof Assembly from Step 2 onto the (042) Soffit Wides so the ends of each (021) Roof Side overhangs each (042) Soffit Wide by 1/4". The opening should face the Side and Cafe Walls (fig. 9.1 and 9.2)

B: Attach each (042) Soffit Wide to Roof Assembly with 2 (S2) #8 x 1-1/2" Wood Screws per corner. Make sure screws go into each (021) Roof Side. (fig. 9.1 and 9.3)

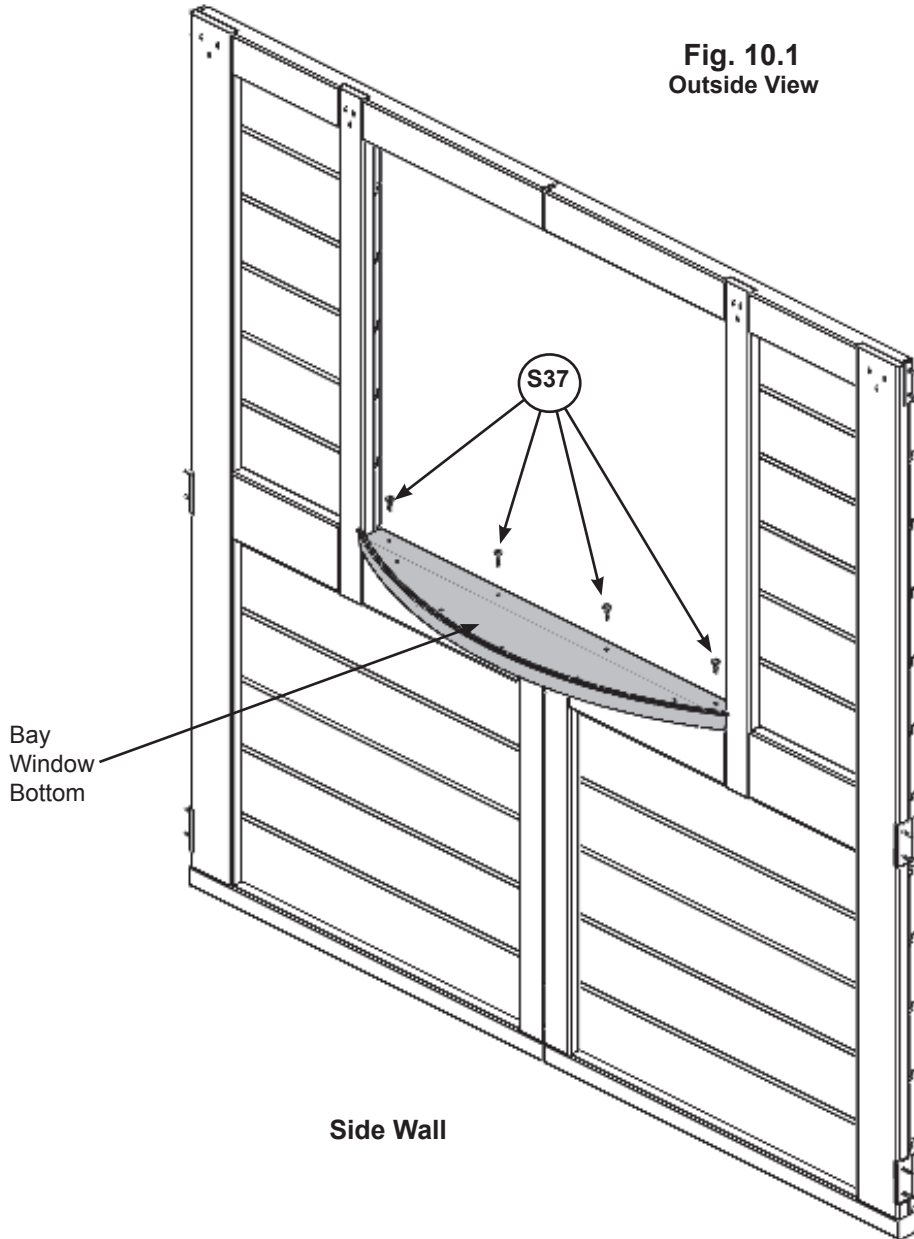


Hardware


8 x (S2) #8 x 1-1/2" Wood Screw

Step 10: Bay Window Assembly Part 1

A: From outside the assembly place Bay Window Bottom in the opening of the Side Wall as shown in fig. 10.1. Attach with 4 (S37) #7 x 5/8" Pan Screws.



Hardware

4 x  #7 x 5/8" Pan Screw

Other Parts

1 x Bay Window Bottom

Step 10: Bay Window Assembly Part 2

B: Bend Bay Window Insert so it is curved and from inside the assembly place into the opening on top of the Bay Window Bottom as shown in fig. 10.2, 10.3 and 10.4. Attach with 4 (S37) #7 x 5/8" Pan Screws. The sides of the Bay Window Insert should fit tight to the inside of the wall panel.

C: Attach the sides of the Bay Window Insert to the inside of the Side Wall with 3 (S37) #7 x 5/8" Pan Screws per side. (fig. 10.3 and 10.5)

Fig. 10.2
Inside View

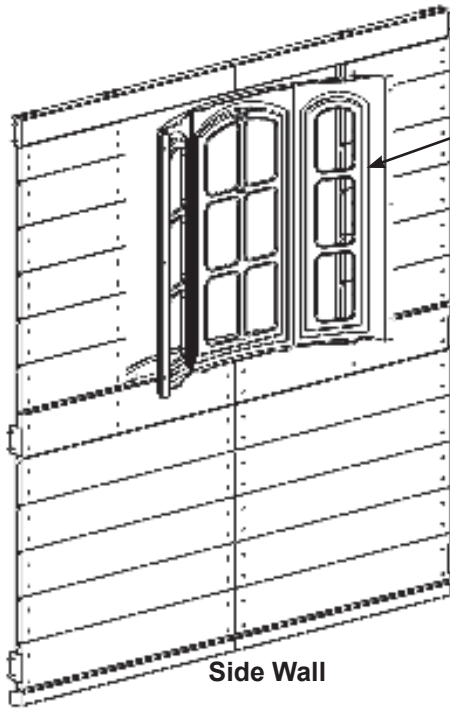


Fig. 10.3
Inside View

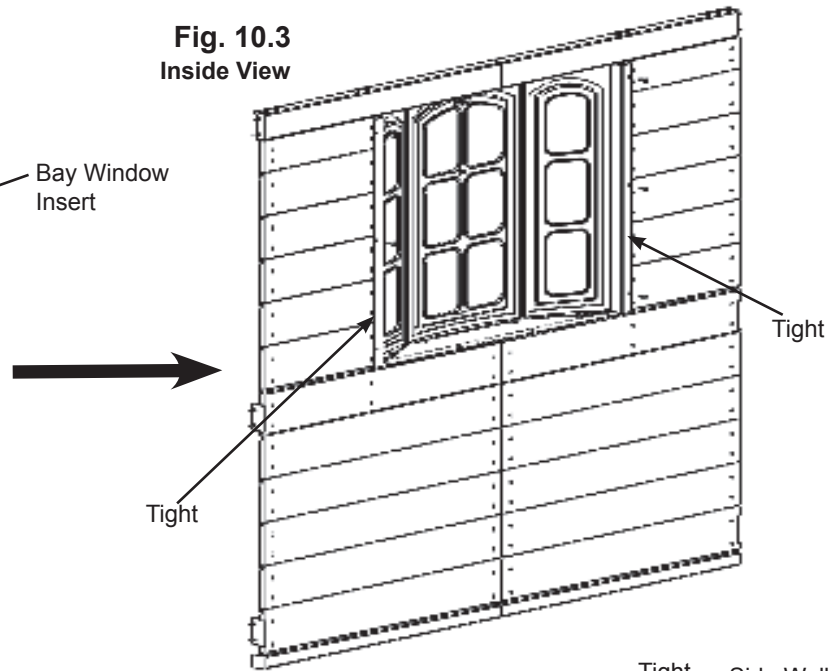


Fig. 10.4
Inside View

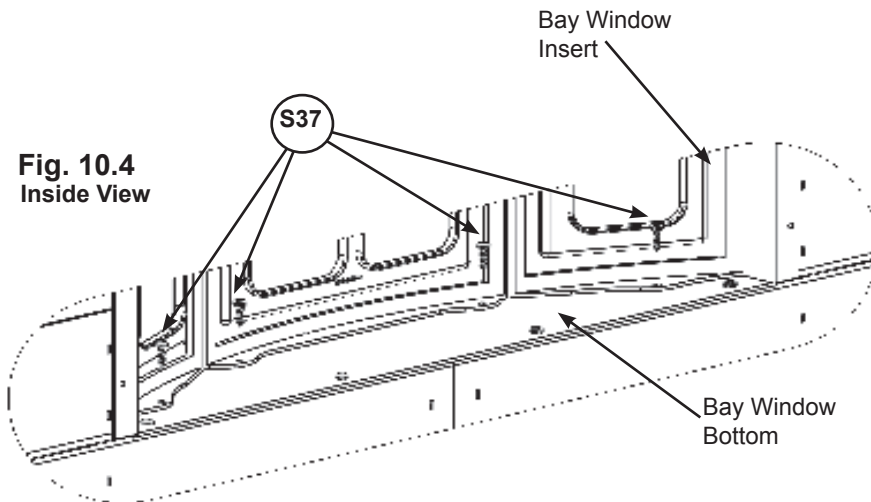
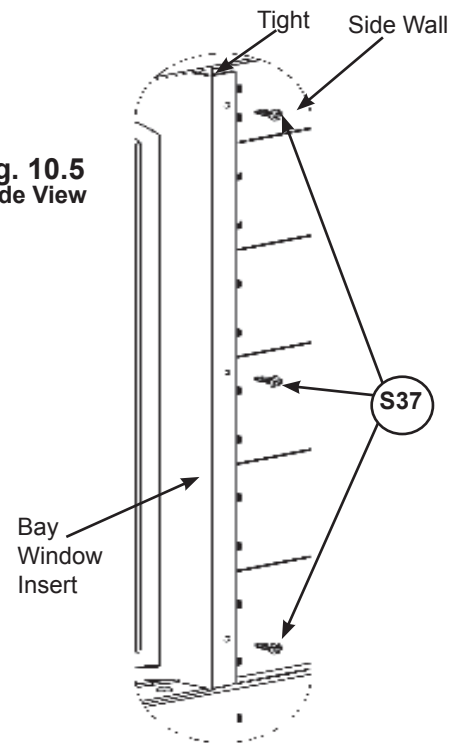


Fig. 10.5
Inside View



Hardware

10 x  #7 x 5/8" Pan Screw

Other Parts

1 x Bay Window Insert

Step 10: Bay Window Assembly

Part 3

D: From outside the assembly place Bay Window Top on top of Bay Window Insert and under the wall panel then attach to Bay Window Insert with 4 (S37) #7 x 5/8" Pan Screws. (fig. 10.6, 10.7 and 10.8)

E: Attach Bay Window Top to the Side Wall with 4 (S37) #7 x 5/8" Pan Screws. (fig. 10.8)

Fig. 10.7
Outside View

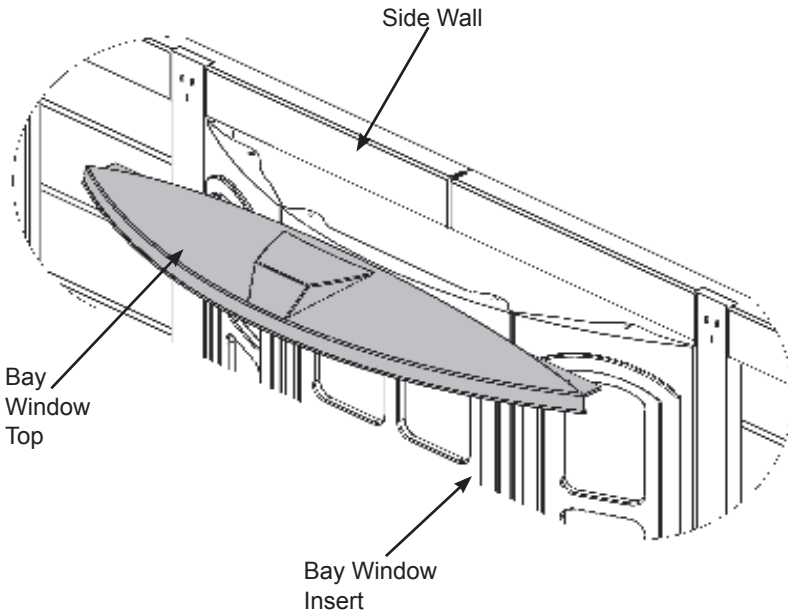


Fig. 10.6
Outside View

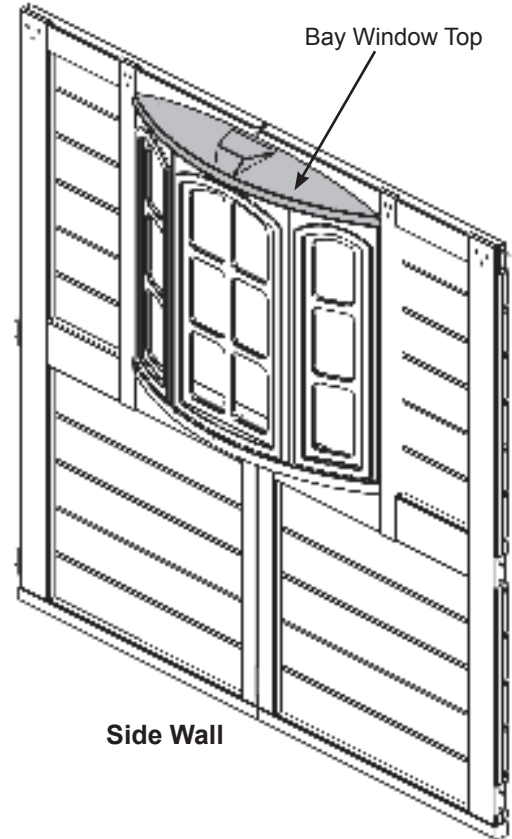
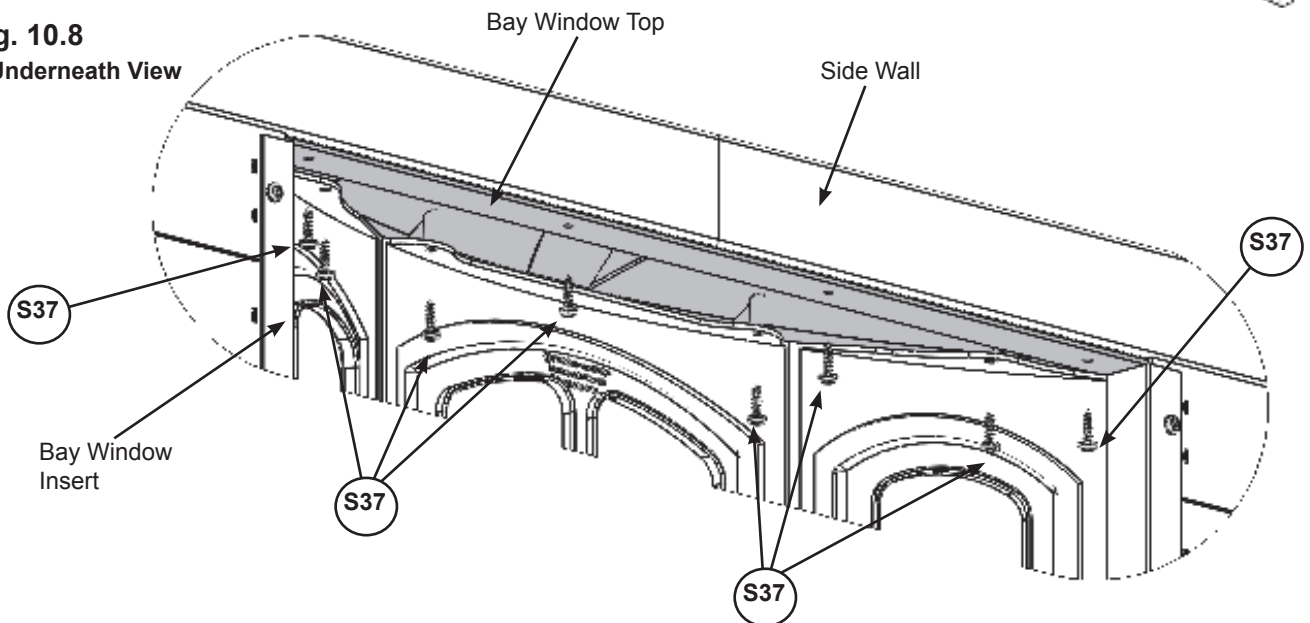



Fig. 10.8
Inside/Underneath View



Hardware

8 x  #7 x 5/8" Pan Screw

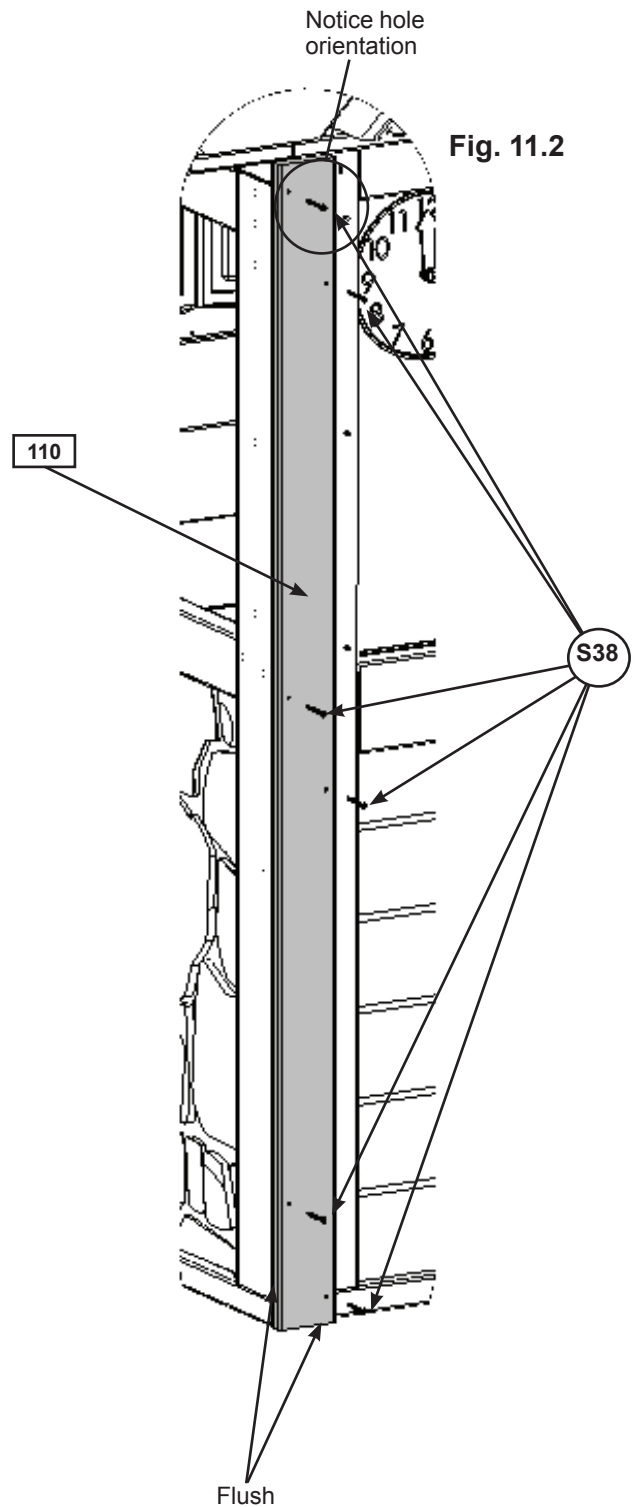
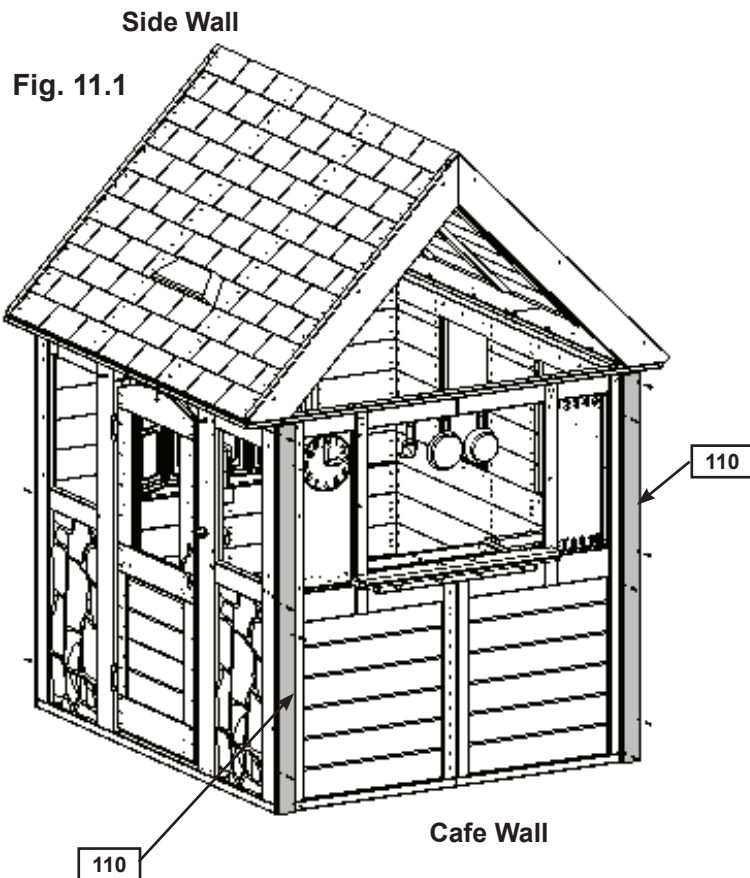
Other Parts

1 x Bay Window Top

Step 11: Attach Corner Trim

A: Flush to the bottom and outside edges of the Cafe Wall attach 2 (110) Corner Trims with 6 (S38) #7 x 1-1/8" Pan Screws per board. (fig. 11.1 and 11.2)

Repeat Step A for Side Wall.



Wood Parts

4 x **110** Corner Trim 1/2 x 2-1/4 x 41-7/8"

Hardware

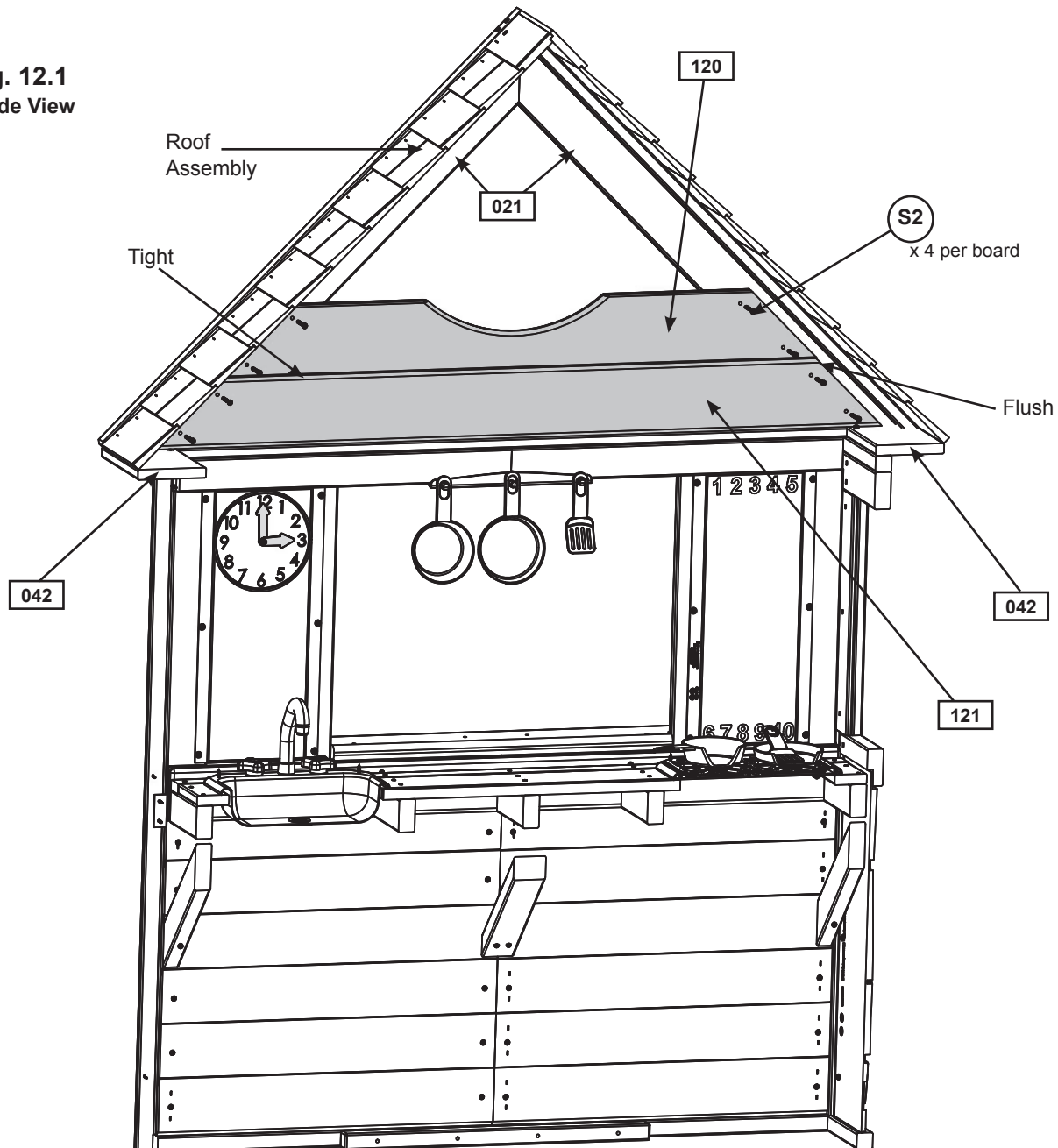
24 x **S38** #7 x 1-1/8" Pan Screw

Step 12: Cafe Gable Assembly Part 1

A: From inside the assembly, centred on the Cafe Wall place (121) Gable End tight to (042) Soffit Wides and (021) Roof Sides then attach with 4 (S2) #8 x 1-1/2" Wood Screws. (fig. 12.1)

B: Tight to (121) Gable End place (120) Long Cafe Gable so the ends are flush and the arch is facing up then attach with 4 (S2) #8 x 1-1/2" Wood Screws. (fig. 12.1)

Fig. 12.1
Inside View



Wood Parts

1 x **120** Long Cafe Gable 5/8 x 4-1/4 x 37-3/4"

1 x **121** Gable End 5/8 x 4-1/4 x 46-1/8"

Hardware

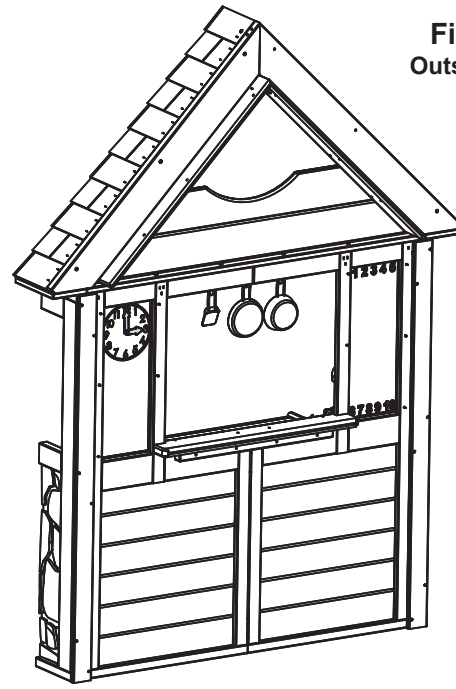
8 x **S2** #8 x 1-1/2" Wood Screw

Step 12: Cafe Gable Assembly Part 2

C: From outside the assembly tight to (120) Long Cafe Gable and (121) Gable End place 2 (122) Cafe Roofs with the angled edges at the top and they form a peak. Peak should be tight to the peak of the Roof Assembly. Attach to both (021) Roof Sides with 3 (S2) #8 x 1-1/2" Wood Screws per board. (fig. 12.2 and 12.3)

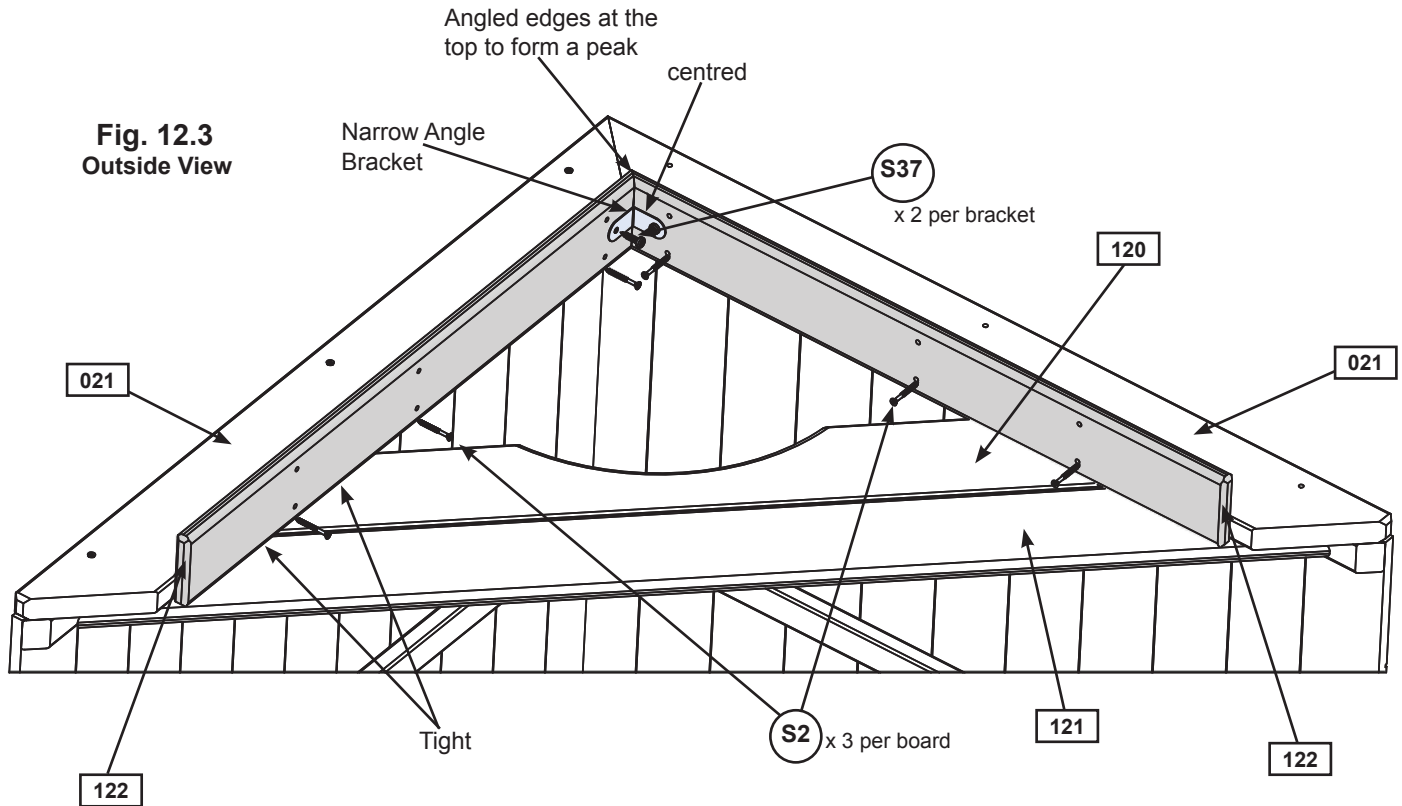
D: Centered at the peak of (122) Cafe Roofs attach together with 1 Narrow Angle Bracket using 2 (S37) #7 x 5/8" Pan Screws. (fig. 12.2 and 12.3)

Fig. 12.2
Outside View



Cafe Wall

Fig. 12.3
Outside View



Wood Parts

2 x 122 Cafe Roof 5/8 x 3-1/4 x 27-5/8"

Hardware

6 x S2 #8 x 1-1/2" Wood Screw
2 x S37 #7 x 5/8" Pan Screw

Other Parts

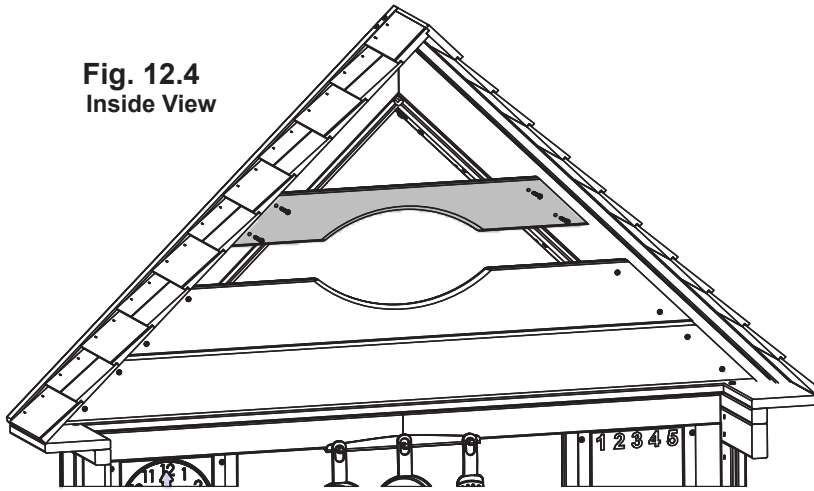
1 x Narrow Angle Bracket

Step 12: Cafe Gable Assembly Part 3



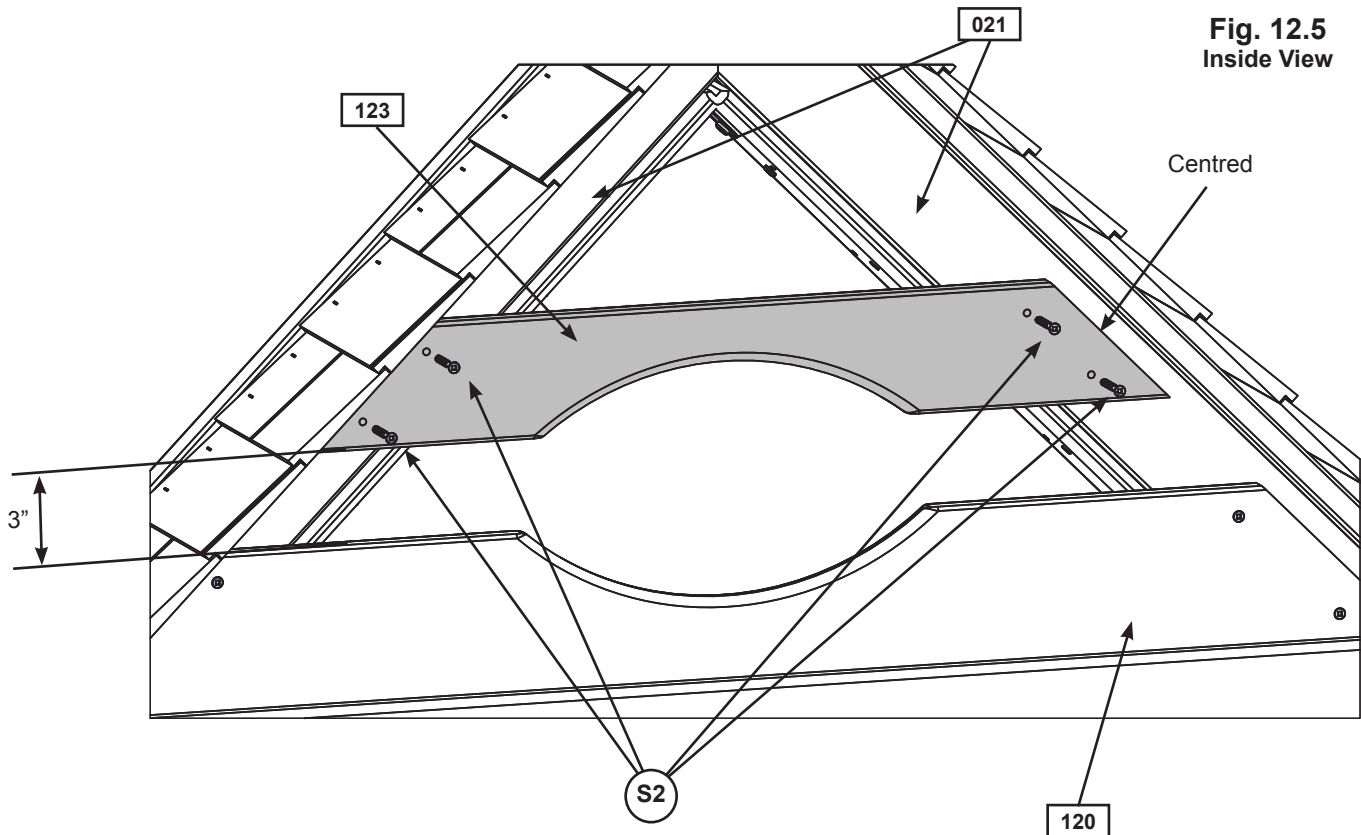
E: From inside the assembly measure 3" up from (120) Long Cafe Gable, place (123) Short Cafe Gable against the (021) Roof Sides with arch facing down and centred on assembly then attach with 4 (S2) #8 x 1-1/2" Wood Screws (fig. 12.4 and 12.5)

Fig. 12.4
Inside View



Cafe Wall

Fig. 12.5
Inside View



Wood Parts

1 x **123** Short Cafe Gable 5/8 x 3-1/4 x 24-1/4"

Hardware

4 x **S2** #8 x 1-1/2" Wood Screw

Step 12: Cafe Gable Assembly Part 4

F: Insert Roof Peak Spin Sign into slot of Roof Peak Mount. (fig. 12.7) then place Roof Peak Mount in opening above (123) Short Cafe Gable tight to the peak. From outside the assembly attach Roof Peak Mount to each (122) Cafe Roof with 4 (S37) #7 x 5/8" Pan Screws. (fig. 12.6 and 12.7)

G: Attach Small Pivot Mount to (120) Long Cafe Gable with 2 (S37) #7 x 5/8" Pan Screws. (fig. 12.6 and 12.7)

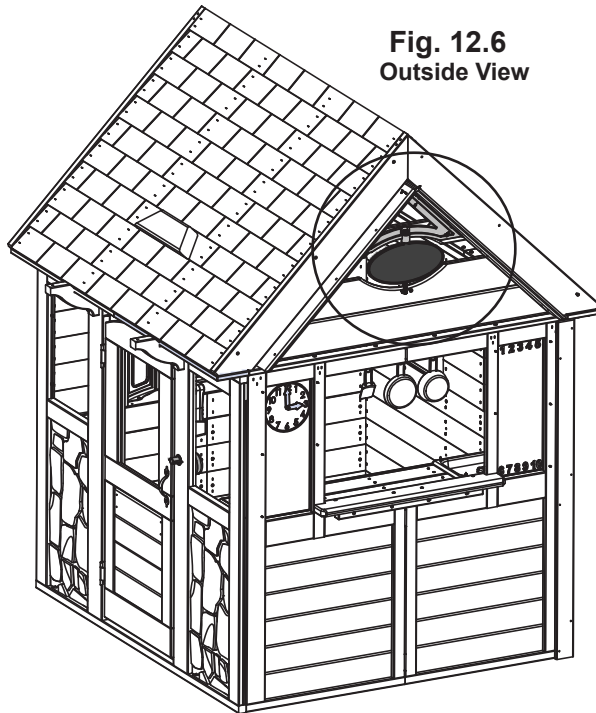


Fig. 12.6
Outside View

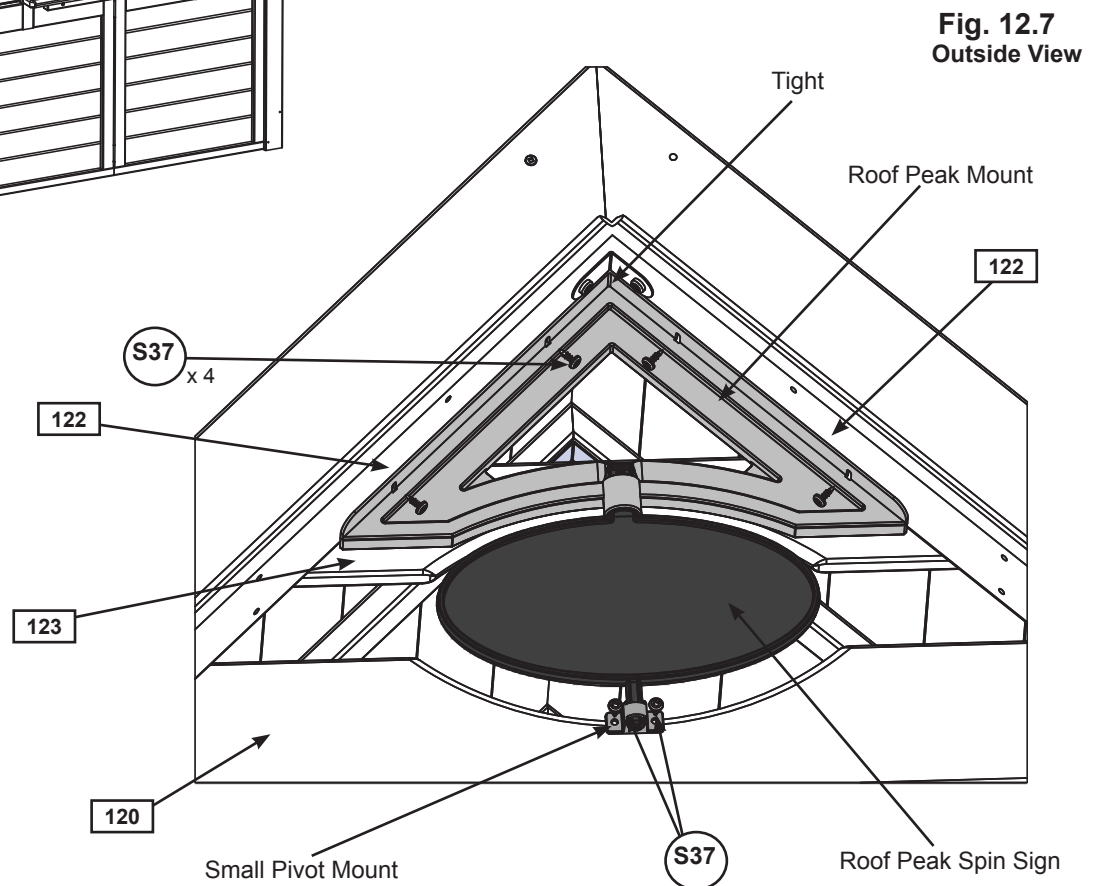


Fig. 12.7
Outside View

Hardware

6 x (S37) #7 x 5/8" Pan Screw

Other Parts

1 x Roof Peak Mount
1 x Roof Peak Spin Sign
1 x Small Pivot Mount

Step 12: Cafe Gable Assembly Part 5



H: Measure 7/16" in from the front edge of each (122) Cafe Roof, place 1 (124) Cafe Gingerbread at each measured spot, tight to the peak and tight to each other then attach with 3 (S2) #8 x 1-1/2" Wood Screws per board. (fig. 12.8, 12.9 and 12.10)

Fig. 12.8

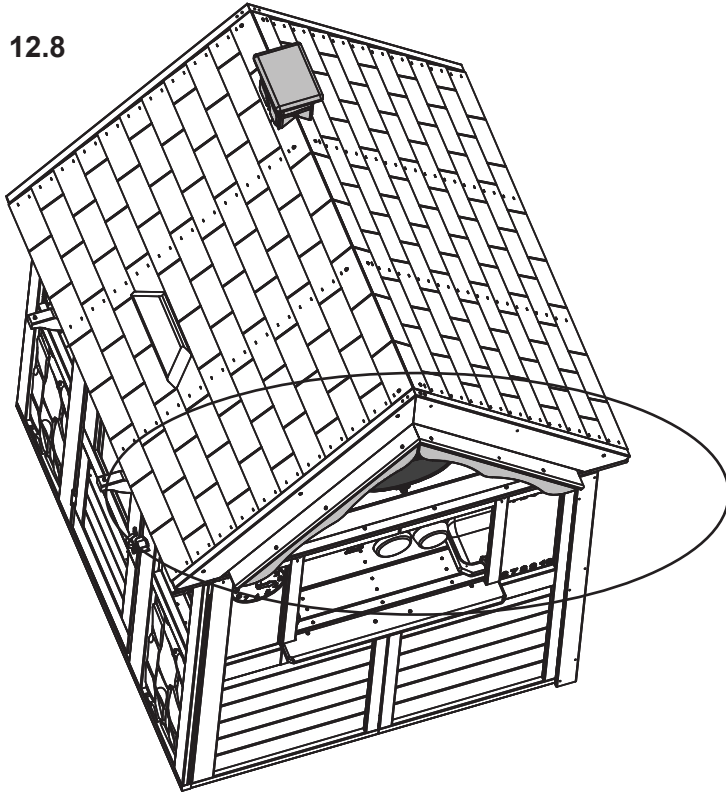


Fig. 12.9
Top View

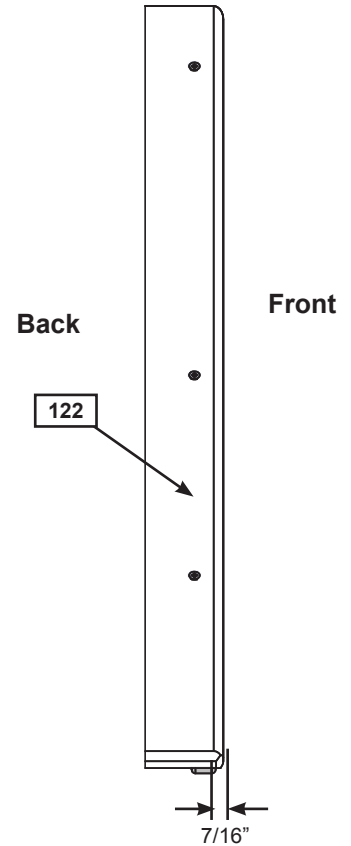
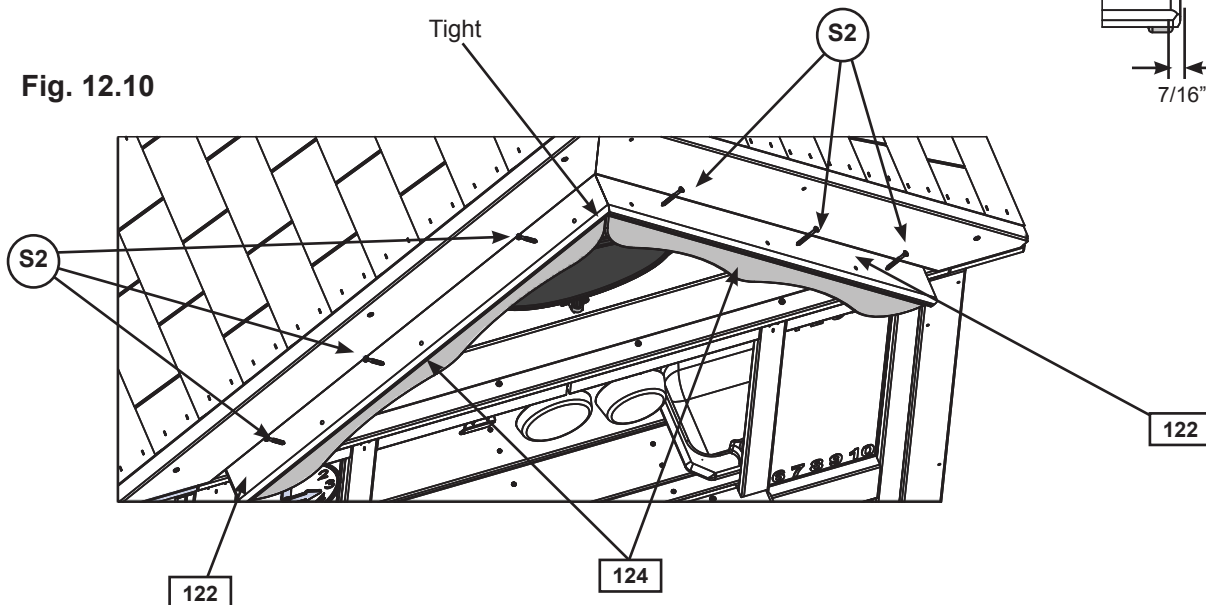


Fig. 12.10



Wood Parts

2 x **124** Cafe Gingerbread 5/8 x 2 x 26-11/16"

Hardware

6 x **S2** #8 x 1-1/2" Wood Screw

Step 13: Side Wall Gable Assembly Part 1

A: On the outside of the assembly place Small Gable Vent between 2 (021) Roof Sides on the Side Wall tight to the peak then from the inside attach with 4 (S37) #7 x 5/8" Pan Screws. (fig. 13.1, 13.2 and 13.3)

Fig. 13.1
Inside View



Side Wall

Fig. 13.2
Outside View

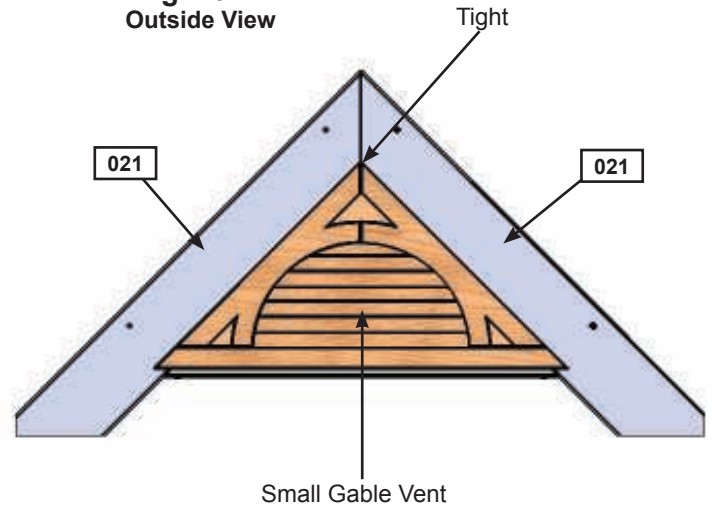
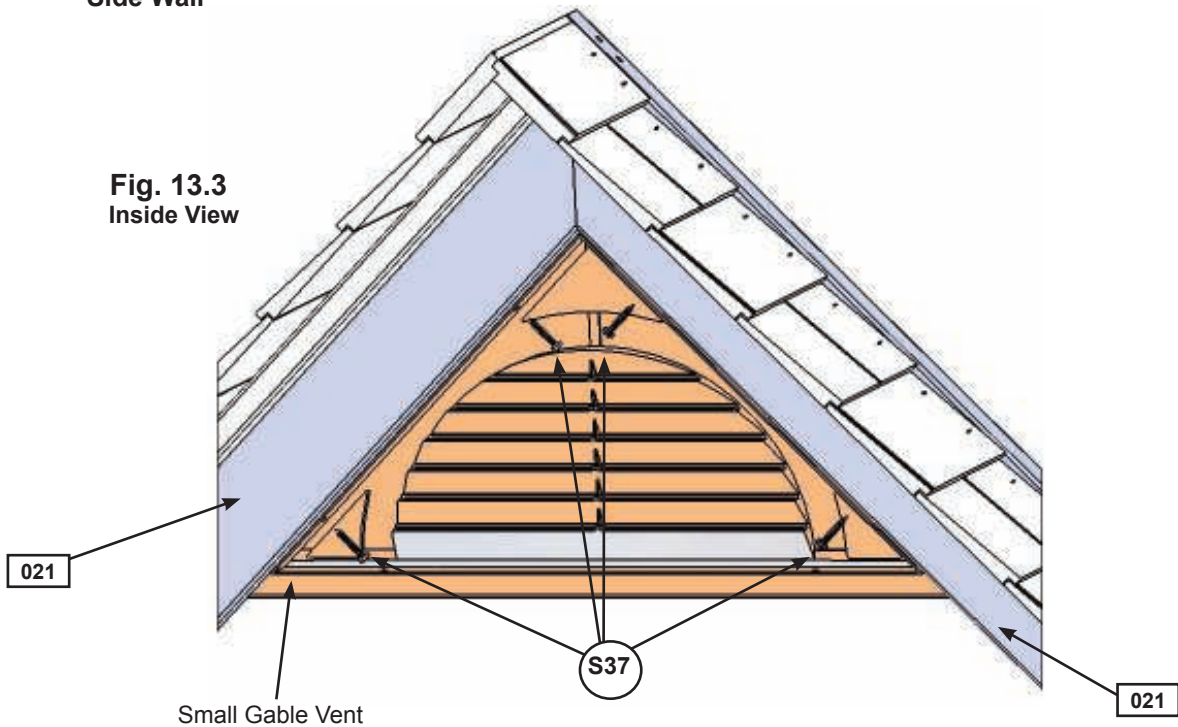


Fig. 13.3
Inside View



Hardware

4 x (S37) #7 x 5/8" Pan Screw

Wood Parts

1 x Small Gable Vent

Step 13: Side Wall Gable Assembly Part 2

B: Place (130) Roof Gable Support tight to both (021) Roof Sides and Small Gable Vent then attach with 2 (S2) #8 x 1-1/2" Wood Screws. (fig 13.4 and 13.5)

C: From inside the assembly attach Small Gable Vent to (130) Roof Gable Support with 2 (S37) #7 x 5/8" Pan Screws. (fig. 13.5)



Fig. 13.4
Inside View

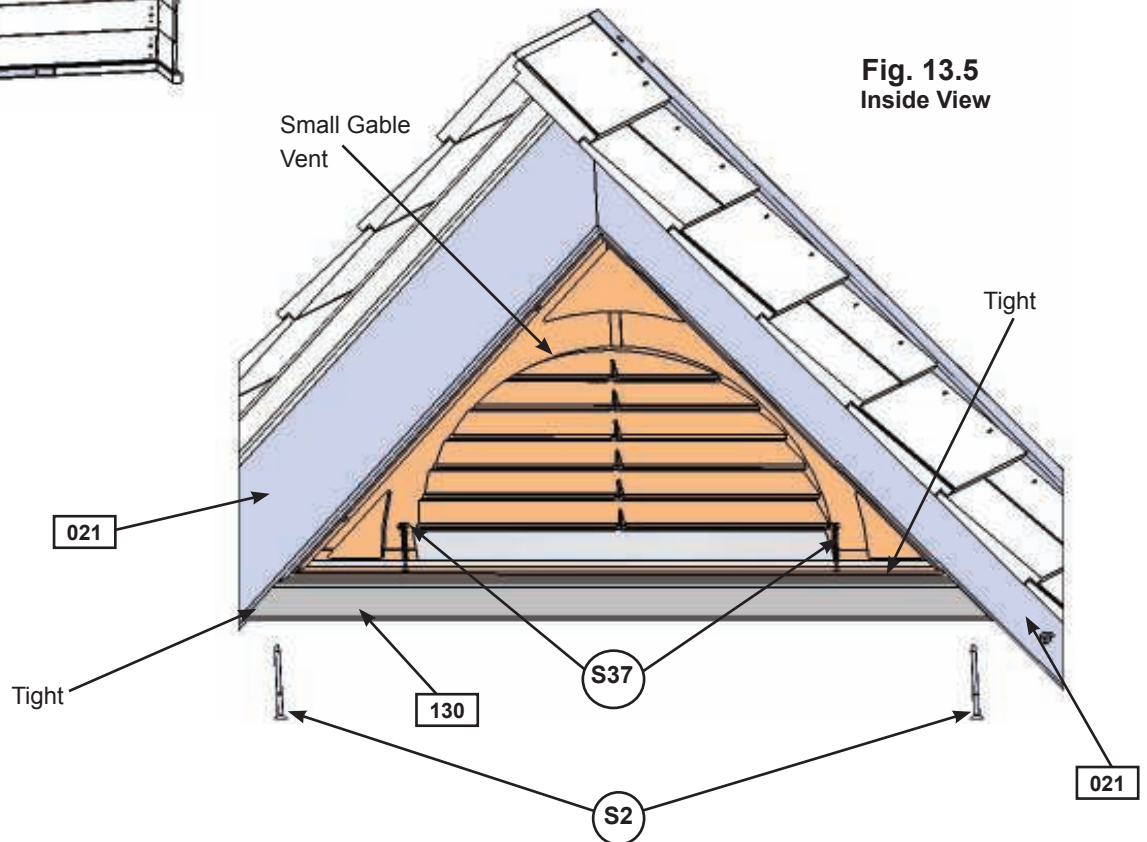


Fig. 13.5
Inside View

Wood Parts

1 x **130** Roof Gable Support 15/16 x 1-1/2 x 21-5/8"

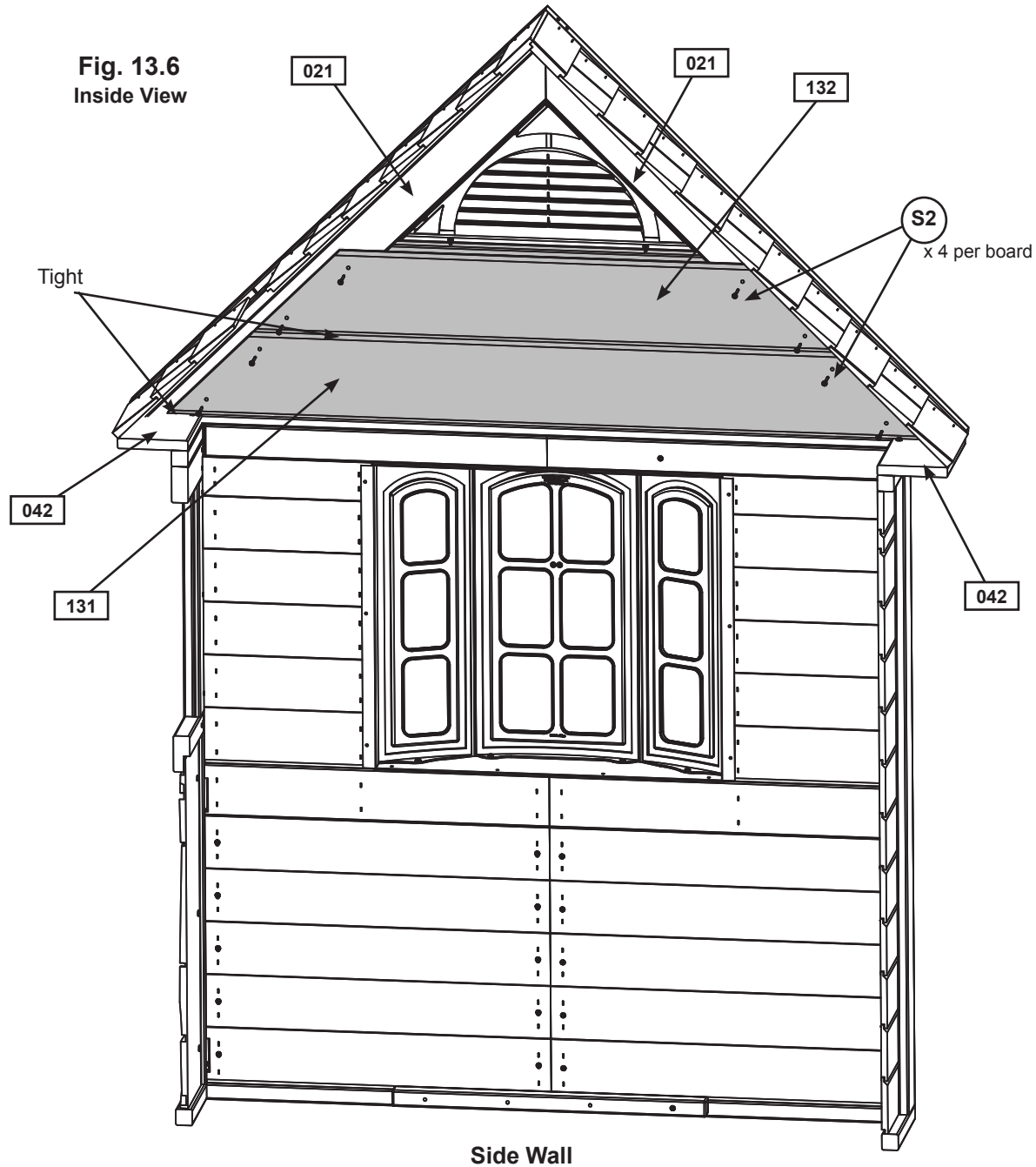
Hardware

2 x **S2** #8 x 1-1/2" Wood Screw
2 x **S37** #7 x 5/8" Pan Screw

Step 13: Side Wall Gable Assembly Part 3

D: From inside the assembly, centred in the opening and tight to the top of Side Wall panel and (042) Soffit Wides place (131) Gable End then attach to both (021) Roof Sides with 4 (S2) #8 x 1-1/2" Wood Screws. (fig 13.6)

E: Tight to the top of (131) Gable End place (132) Gable End Short then attach to both (021) Roof Sides with 4 (S2) #8 x 1-1/2" Wood Screws. (fig 13.6)



Wood Parts

- 1 x 131 Gable End 5/8 x 5-1/4 x 46"
- 1 x 132 Gable End Short 5/8 x 5-1/4 x 35-1/2"

Hardware

- 8 x S2 #8 x 1-1/2" Wood Screw

Step 14: Attach Windows

A: Place 1 Deep Window in each window opening on the Door Wall and Back Wall. There should be 5 Deep Windows in total, 3 on the Door Wall and 2 on the Back Wall. Attach each window with 4 (S37) #7 x 5/8" Pan Screws. (fig. 14.1 and 14.2)

Fig. 14.1

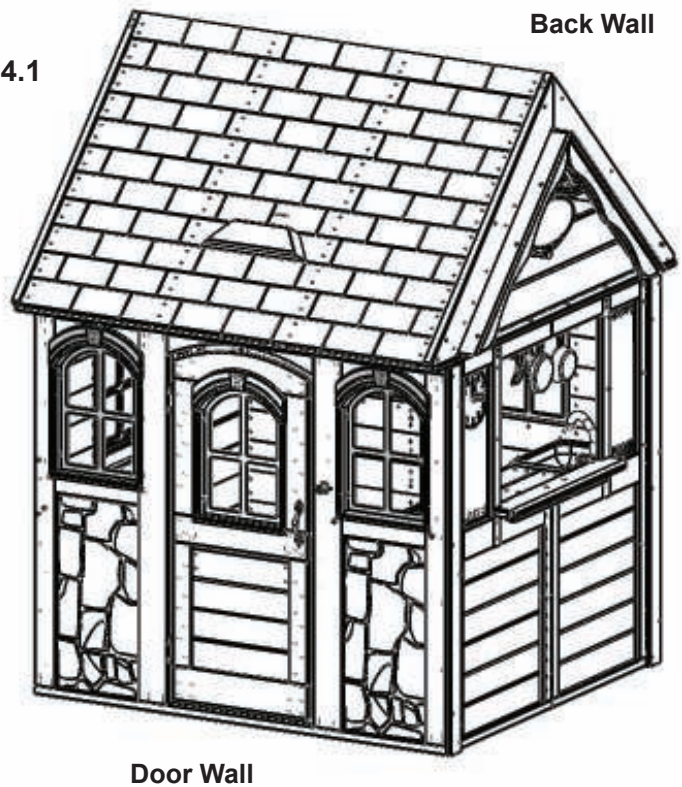
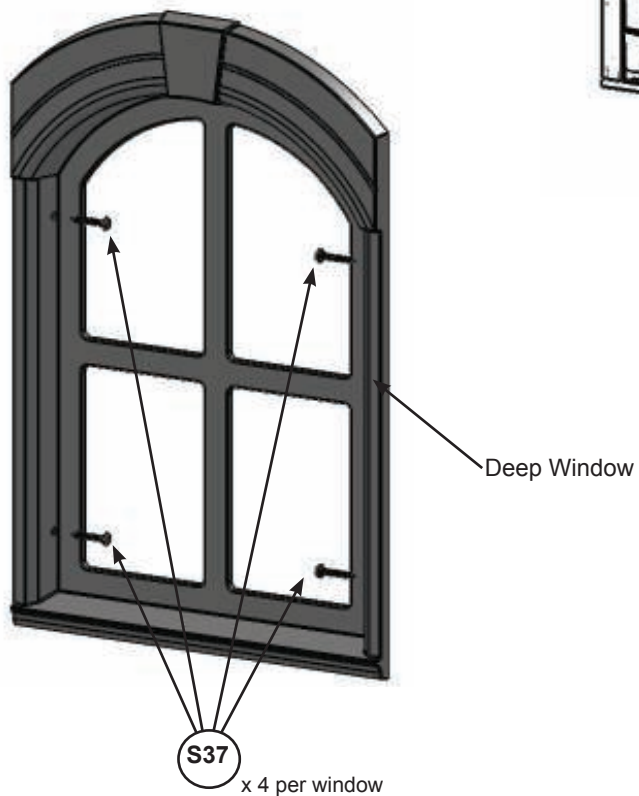



Fig. 14.2



Hardware

20 x  #7 x 5/8" Pan Screw

Other Parts

5 x Deep Windows

Step 15: Attach Flower Box

A: Place 1 Flower Box under one Deep Window on the Door Wall as shown in fig. 15.1 then attach with 2 (S10) #8 x 1" Pan Screws. (fig. 15.1 and 15.2)

Fig. 15.1

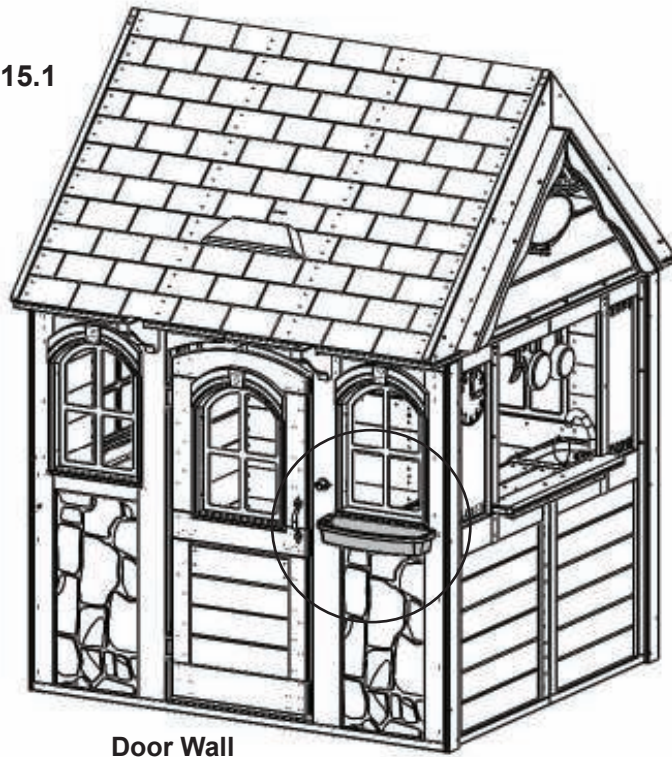
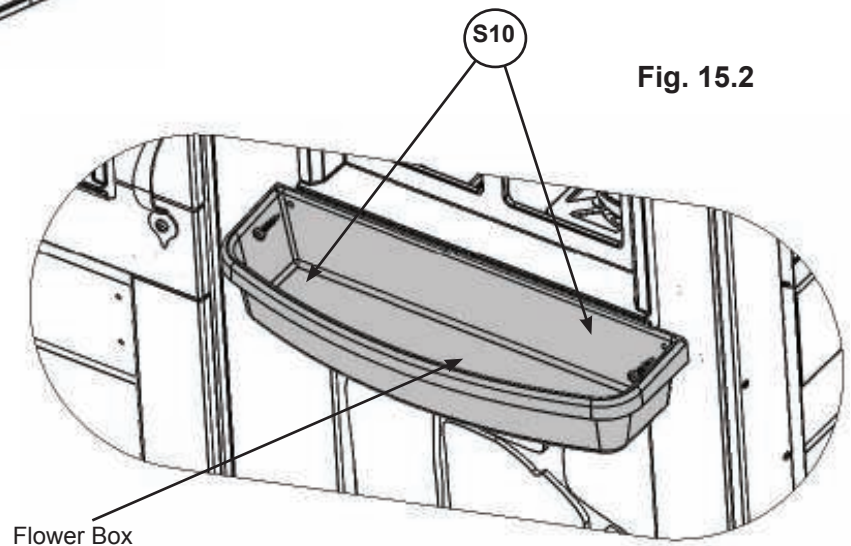



Fig. 15.2



Hardware

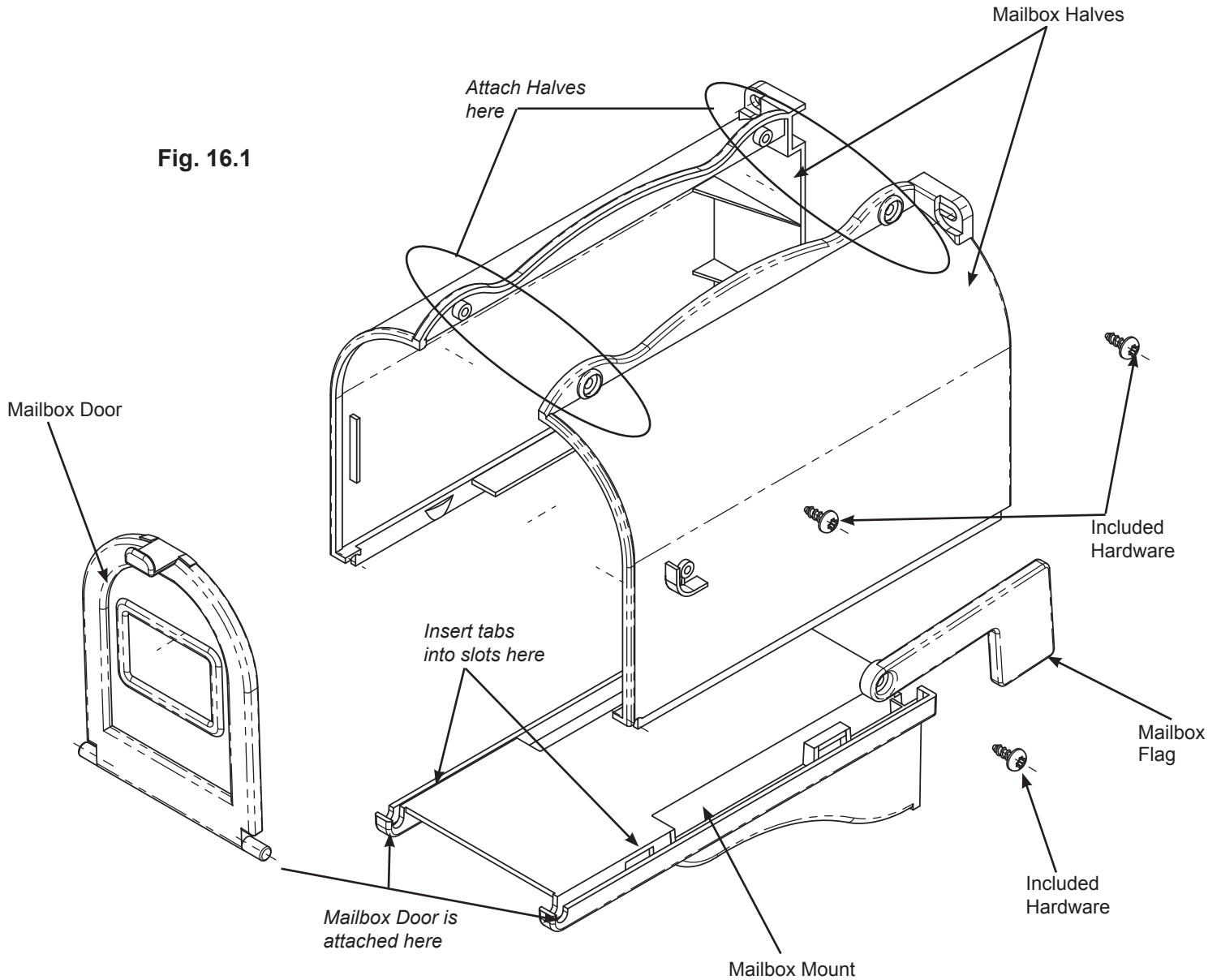
2 x  #8 x 1" Pan Screw

Other Parts

1 x Flower Box

Step 16: Attach Rural Mail Box Part 1

- A: Place both Mailbox Halves together and attach at the top with included hardware. (fig. 16.1)
- B: Snap Mailbox Door onto Mailbox Mount. (fig. 16.1)
- C: Place assembled Mailbox on Mailbox Mount and slide into place using the tabs and slots. (fig. 16.1)
- D: Attach Mailbox Flag to Mailbox with included hardware. (fig. 16.1)



Other Parts

**1 x Rural Mailbox
(with included hardware)**

Step 16: Attach Rural Mail Box Part 2

E: On the outside corner of the Door Wall as shown in fig. 16.2 place Rural Mail Box Assembly on the panel then attach with 1 (S10) #8 x 1" Pan Screw from the bottom and 2 (S10) #8 x 1" Pan Screws on the top. (fig. 16.2, 16.3 and 16.4)

F: For the remaining 2 holes, attach with 2 (S37) #7 x 5/8" Pan screws. (fig.16.3)

Fig. 16.2

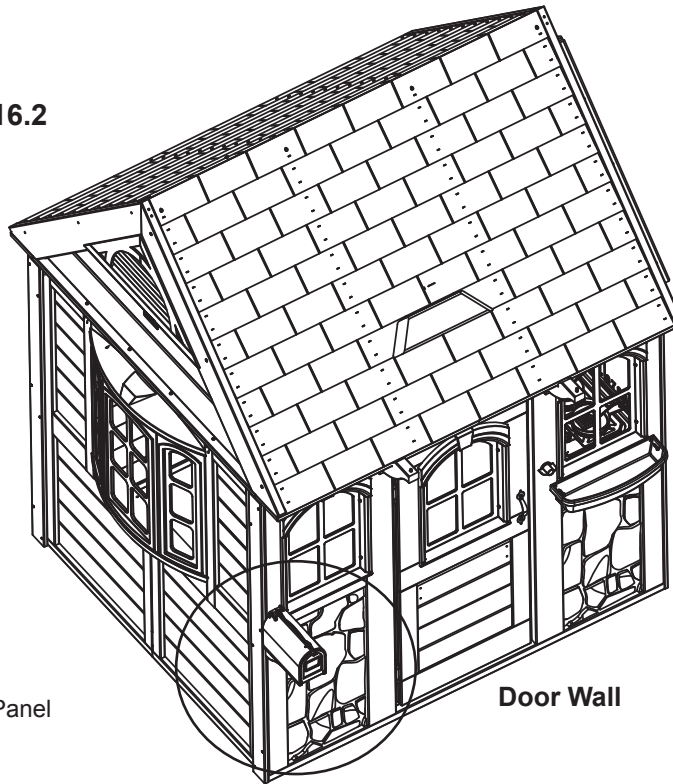
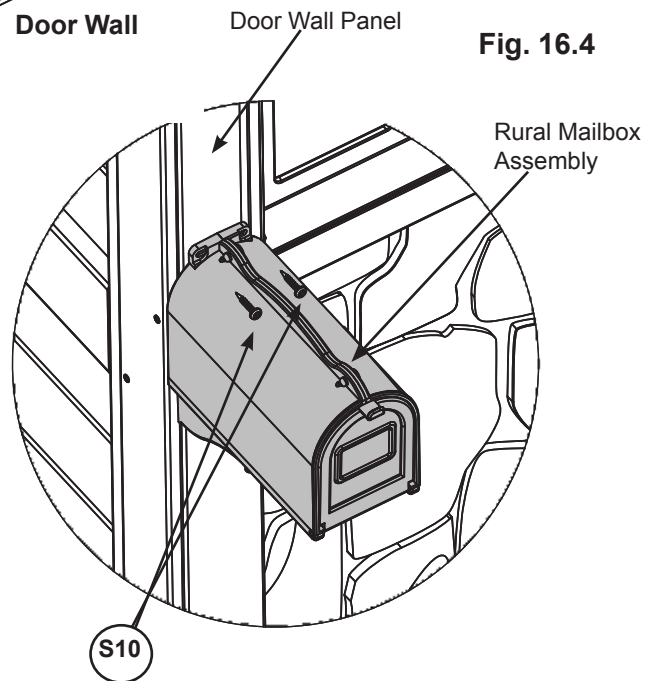
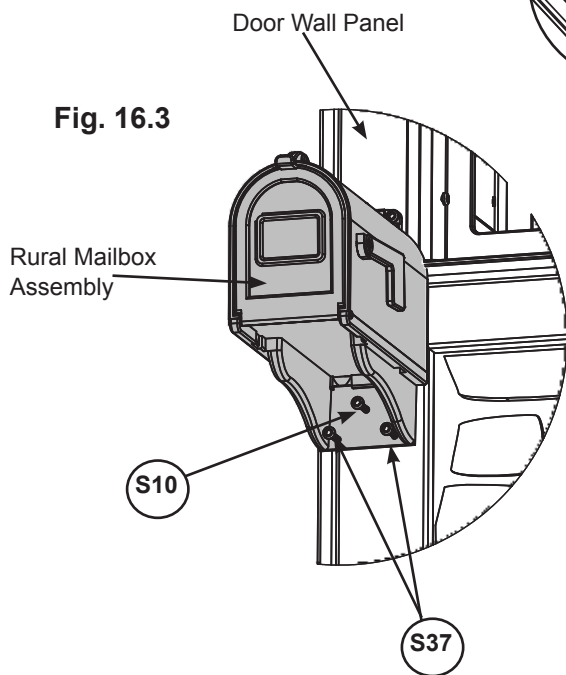


Fig. 16.4

Fig. 16.3



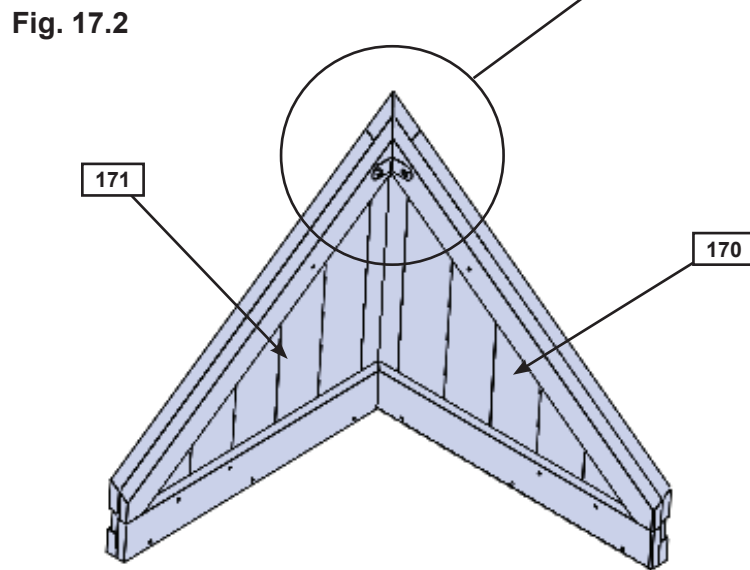
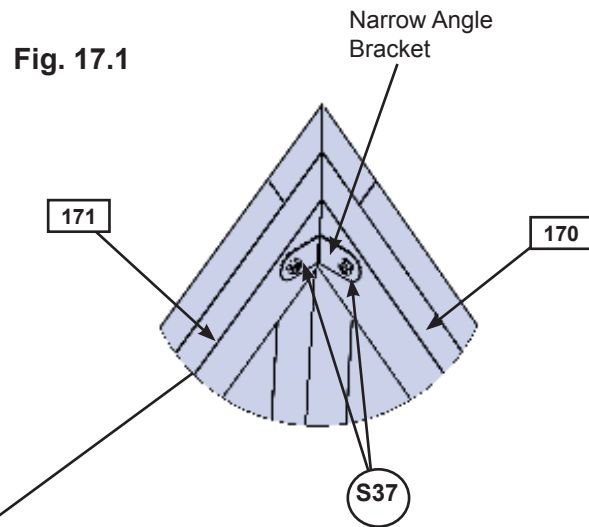
Hardware

3 x (S10) #8 x 1" Pan Screw

2 x (S37) #7 x 5/8" Pan Screw

Step 17: Dormer Panel Assembly

A: Place (170) Dormer Panel Left tight to (171) Dormer Panel Right then attach with 1 Narrow Angle Bracket using 2 (S37) #7 x 5/8" Pan Screws. (fig. 17.1 and 17.2)

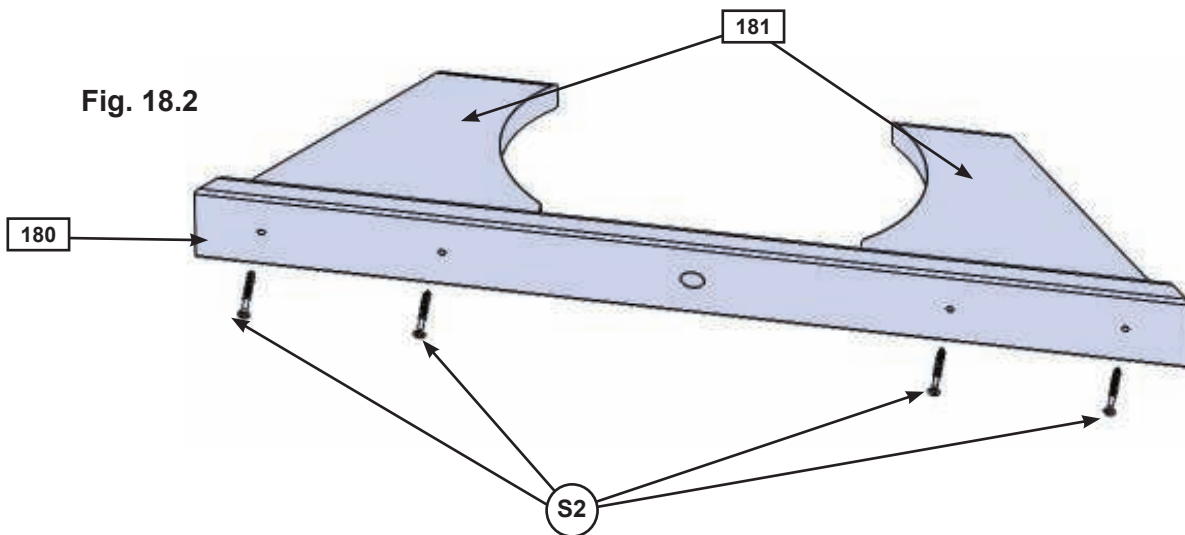
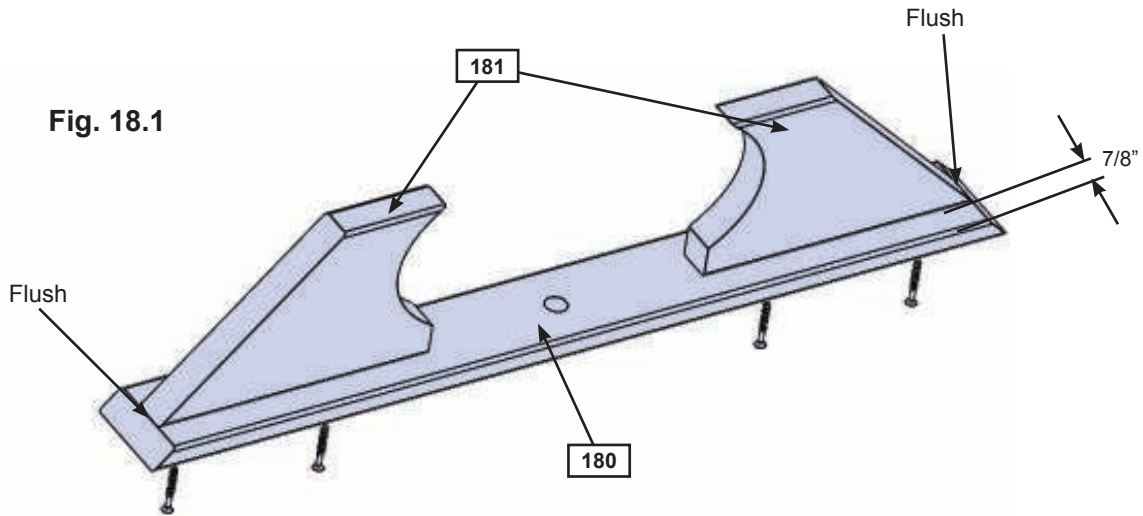


Wood Parts	Hardware	Other Parts
1 x 170 Dormer Panel Left 1-1/4 x 19-19/64 x 20-21/32"	2 x S37 #7 x 5/8" Pan Screw	1 x Narrow Angle Bracket
1 x 171 Dormer Panel Right 1-1/4 x 19-19/64 x 20-21/32"		

Step 18: Dormer Bottom Assembly



A: Measure 7/8" in from the edge of (180) Dormer Bottom then place 1 (181) Dormer Spacer at each end of (180) Dormer Bottom flush to the angled ends and attach with 2 (S2) #8 x 1-1/2" Wood Screws per spacer. (fig. 18.1 and 18.2)



Wood Parts

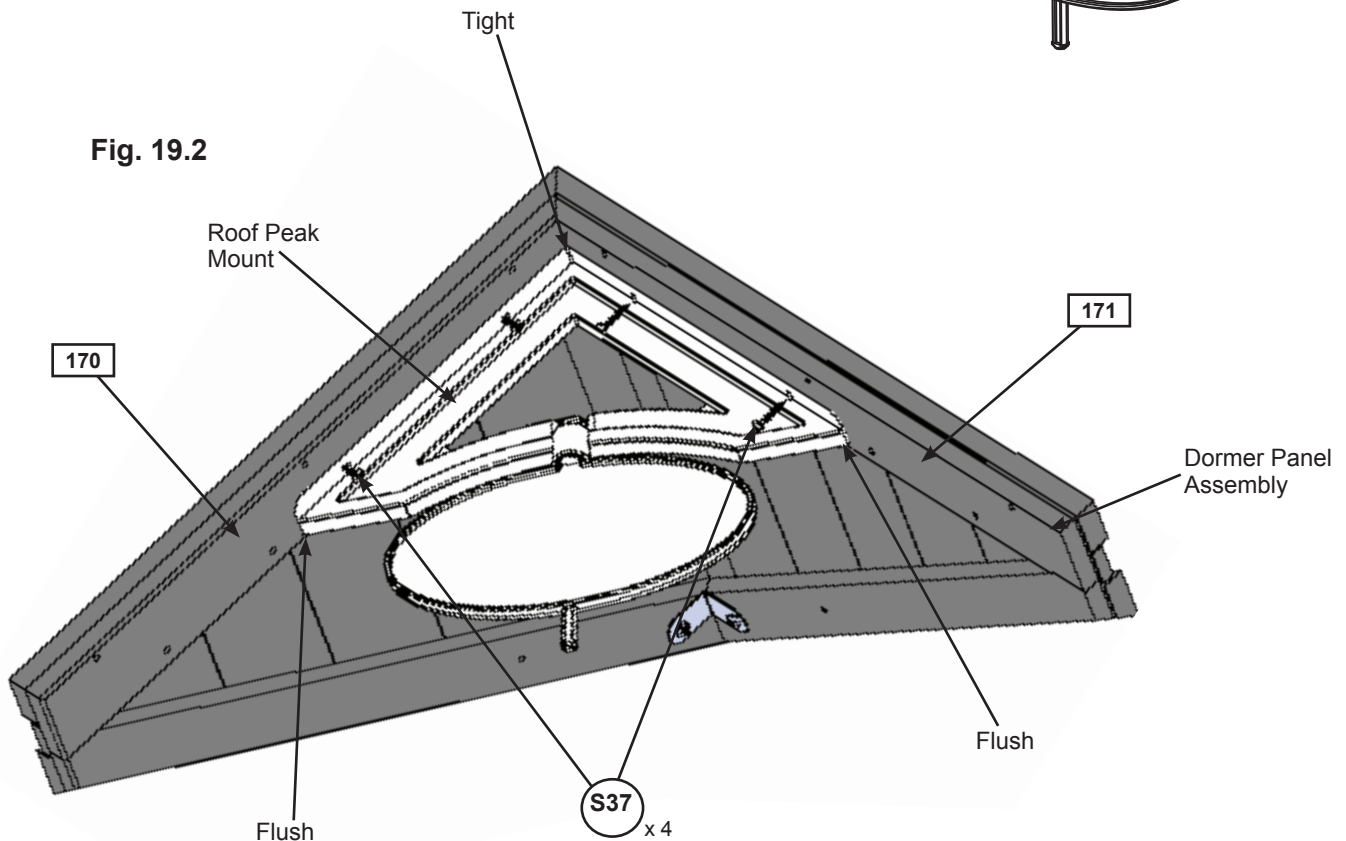
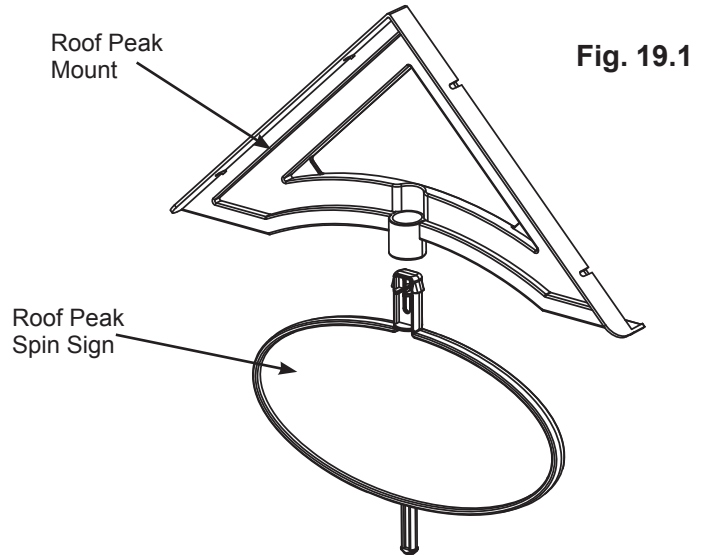
- 1 x **180** Dormer Bottom 5/8 x 2-3/4 x 26-13/64"
- 2 x **181** Dormer Spacer 1 x 5 x 8-1/4"

Hardware

- 4 x **S2** #8 x 1-1/2" Wood Screw

Step 19: Dormer Assembly Part 1

A: Insert Roof Peak Spin Sign into slot of Roof Peak Mount (fig. 19.1) then place Roof Peak Mount in opening of Dormer Panel Assembly tight to the peak and flush to the inside edges. Attach Roof Peak Mount to (170) Dormer Panel Left and (171) Dormer Panel Right with 4 (S37) #7 x 5/8" Pan Screws. (fig. 19.1 and 19.2)



Hardware

4 x (S37) #7 x 5/8" Pan Screw

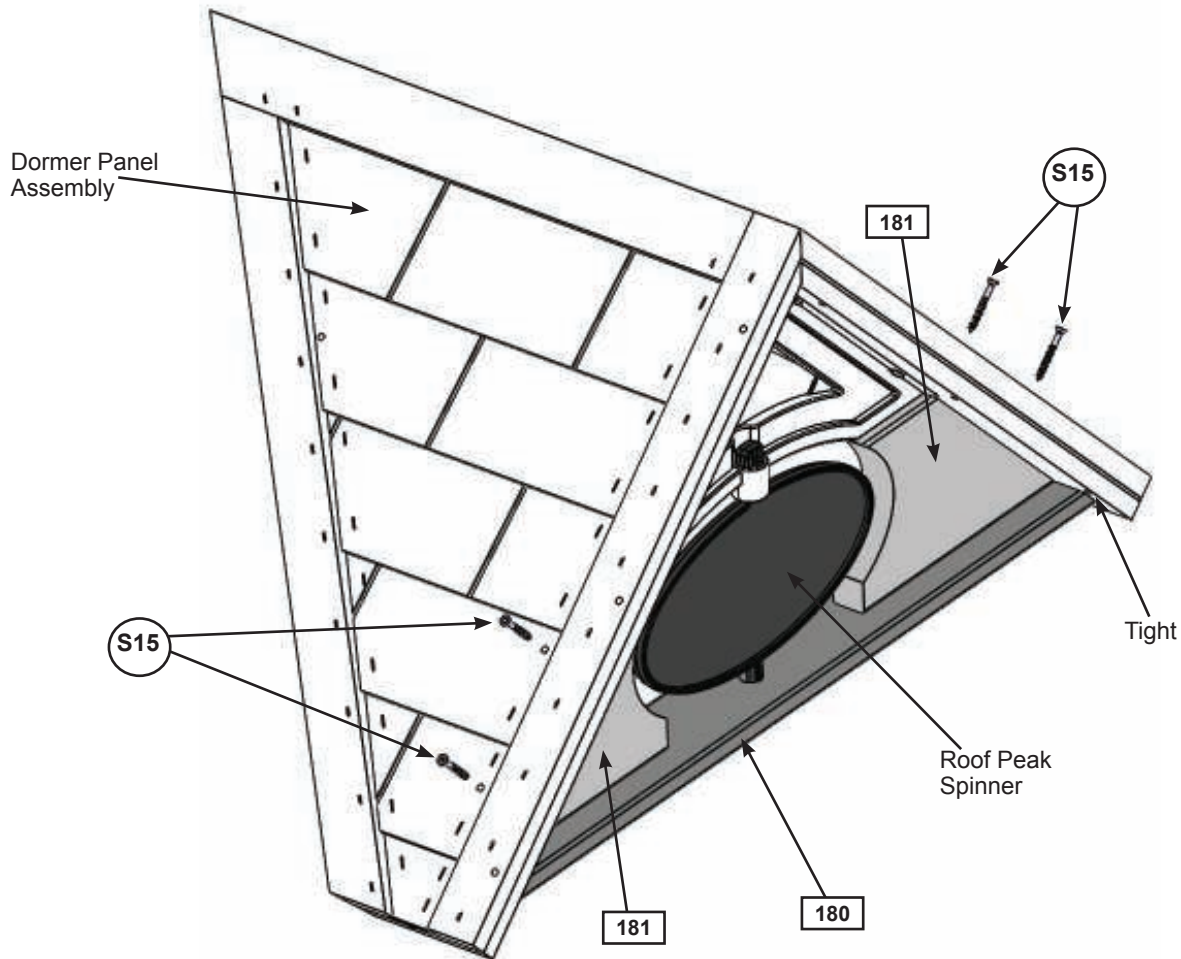
Other Parts

1 x Roof Peak Mount
1 x Roof Peak Spin Sign

Step 19: Dormer Assembly Part 2

B: Place Dormer Bottom/Spacer Assembly tight to inside edges of Dormer Panel Assembly feeding Roof Peak Spinner into hole of (180) Dormer Bottom. Attach Dormer Panel Assembly to each (181) Dormer Spacer with 2 (S15) #8 x 1-3/4" Wood Screws per spacer. (fig. 19.3)

Fig. 19.3



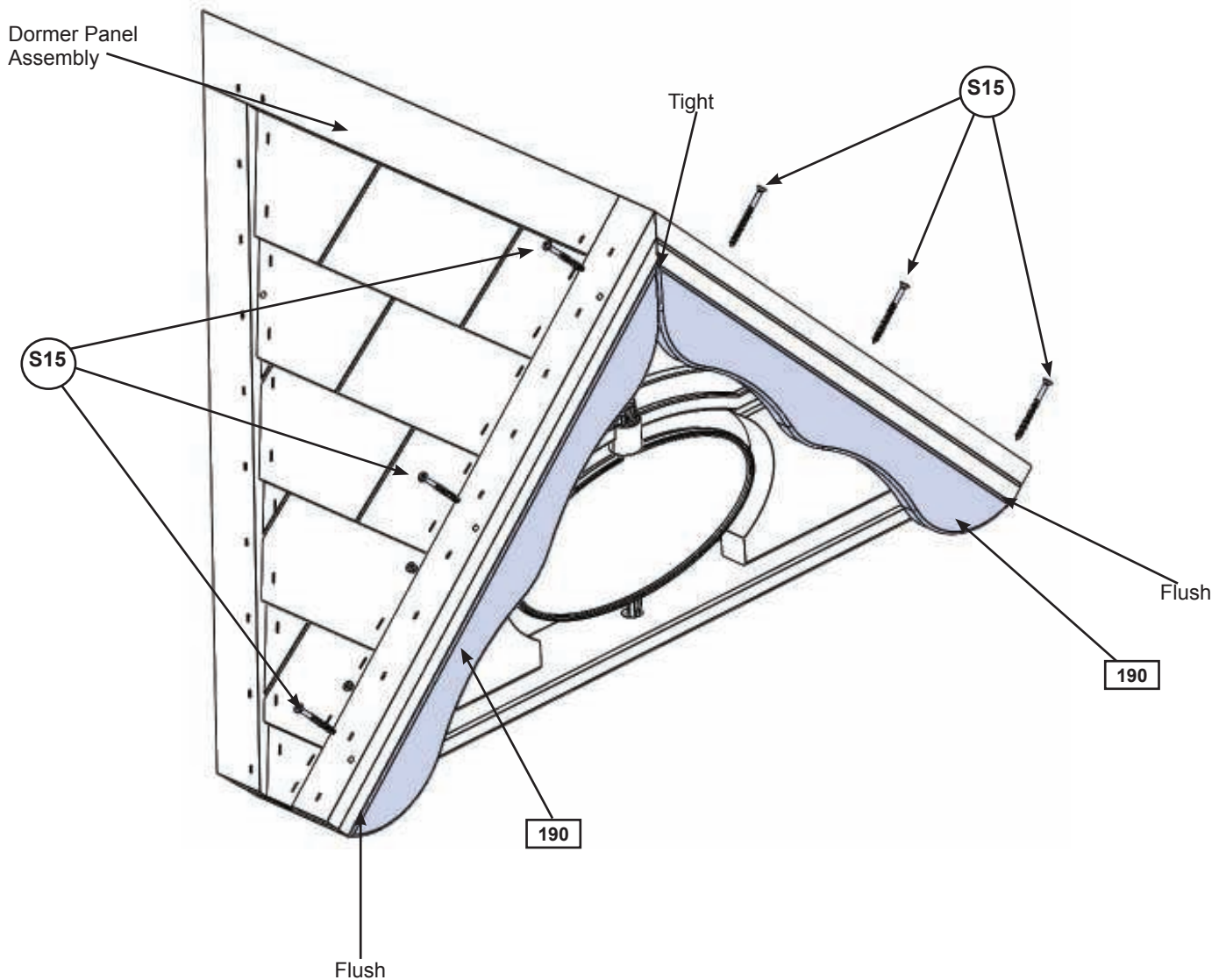
Hardware

4 x  #8 x 1-3/4" Wood Screw

Step 19: Dormer Assembly Part 3

C: Tight to the peak and flush to the front edge of the Dormer Panel Assembly place 2 (190) Dormer Gingerbreads tight to each other at the top then attach with 3 (S15) #8 x 1-3/4" Wood Screws per board. (fig. 19.4)

Fig. 19.4



Wood Parts

2 x **190** Dormer Gingerbread 5/8 x 2 x 19-13/32"

Hardware

6 x **S15** #8 x 1-3/4" Wood Screw

Step 20: Attach Dormer Assembly to Roof Part 1

A: Place Dormer Panel Assembly on the Roof Assembly at the (024) Dormer Cleat then attach with 2 (S3) #8 x 2-1/2" Wood Screws. (fig. 20.1 and 20.2)

Fig. 20.1

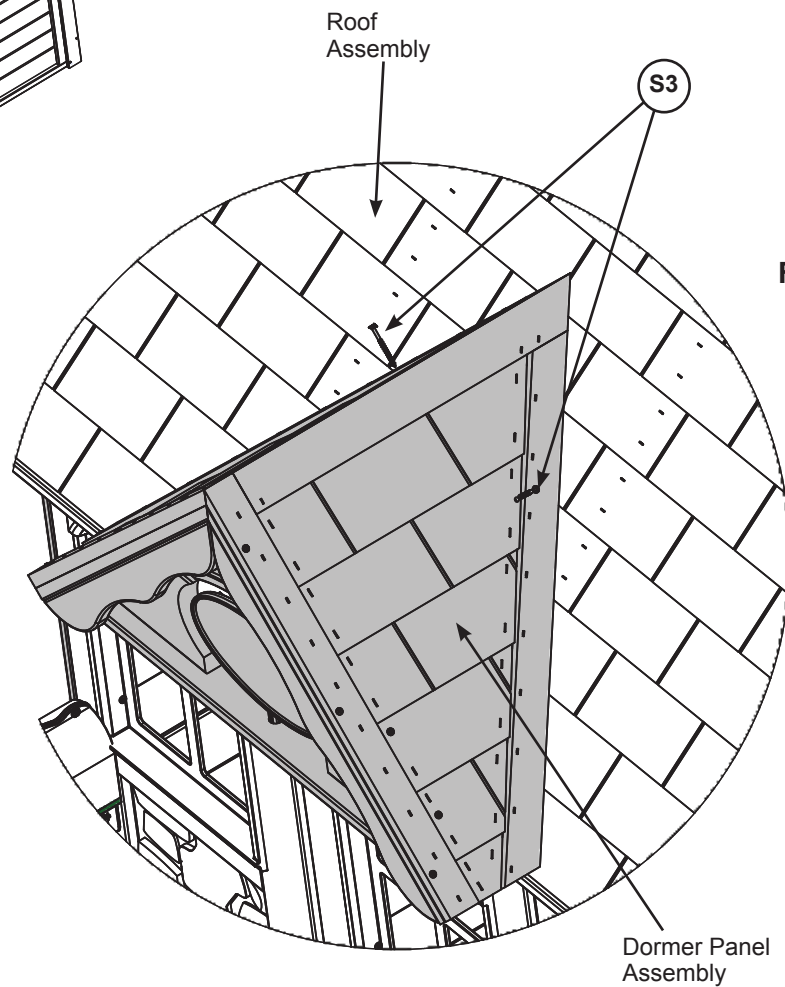
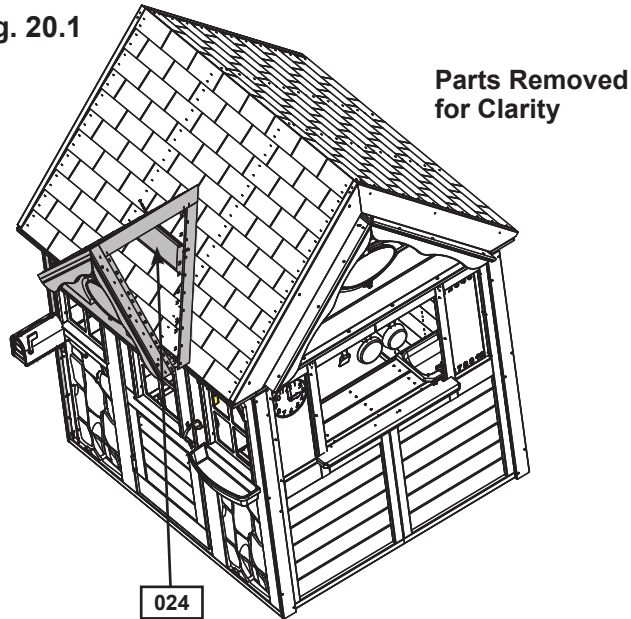


Fig. 20.2

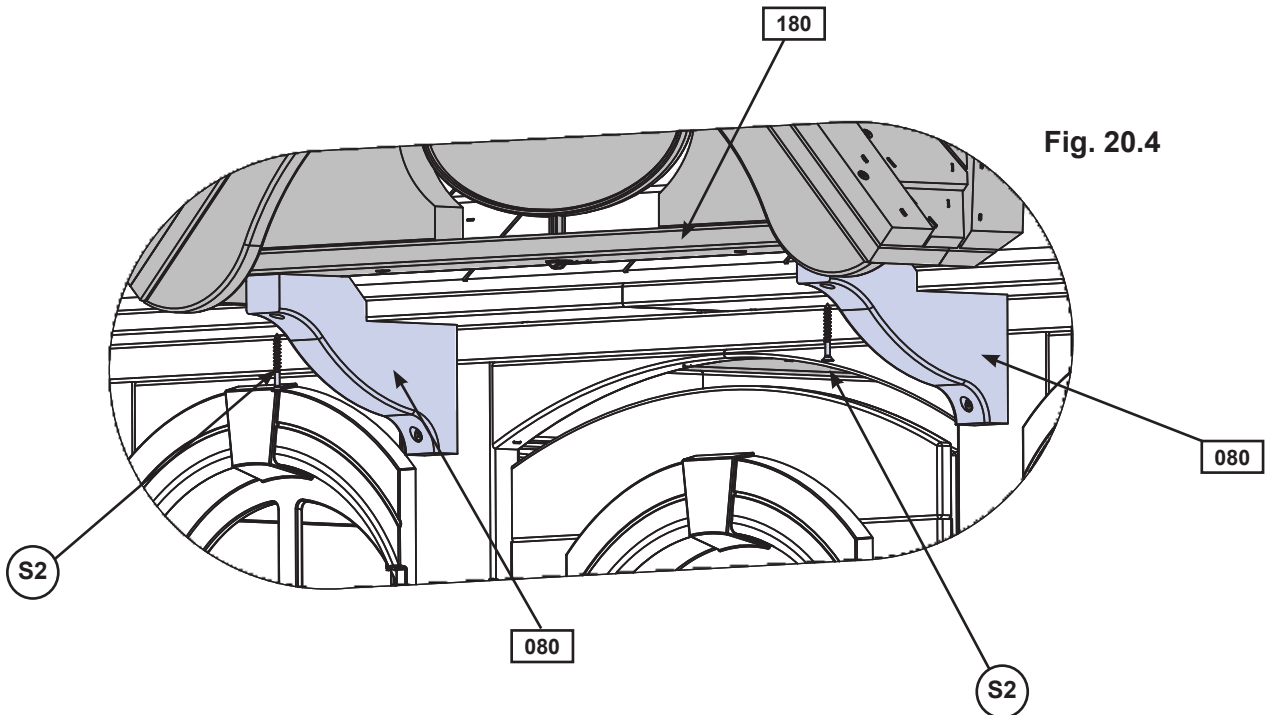
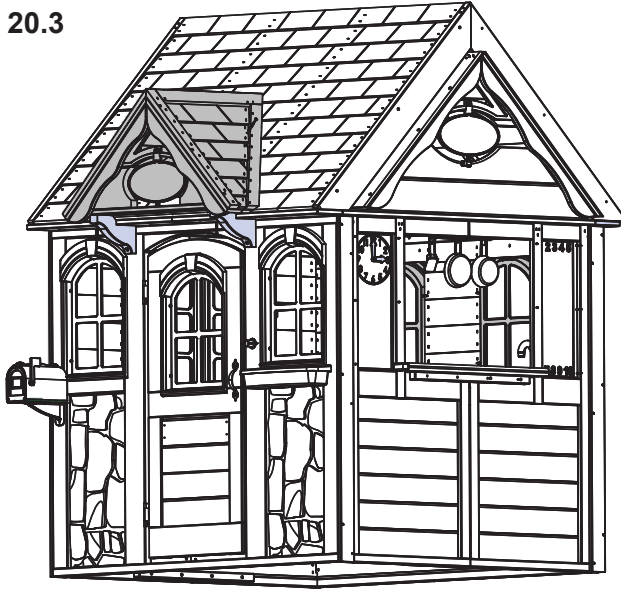
Hardware

2 x (S3) #8 x 2-1/2" Wood Screw

Step 20: Attach Dormer Assembly to Roof Part 2

B: Attach each (080) Dormer Gusset to (180) Dormer Bottom with 1 (S2) #8 x 1-1/2" Wood Screw per gusset. (fig. 20.3 and 20.4)

Fig. 20.3



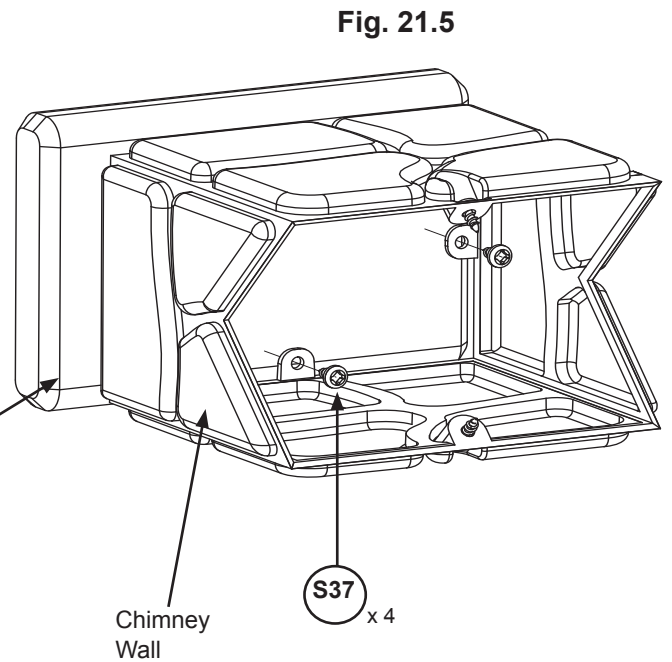
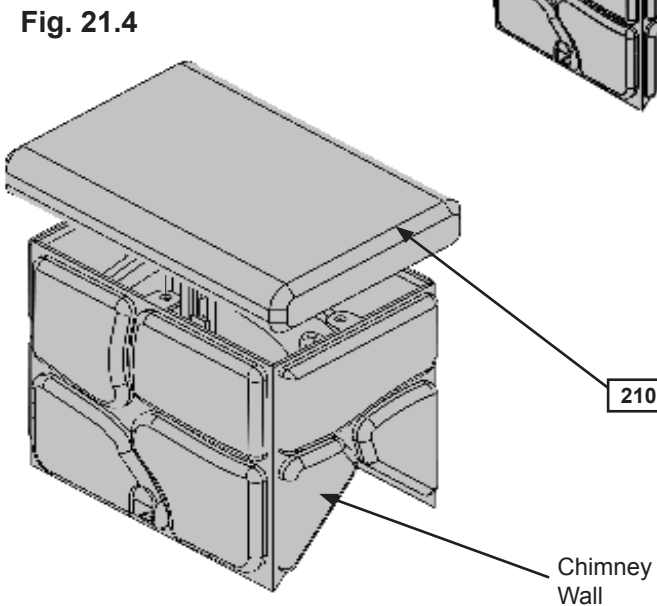
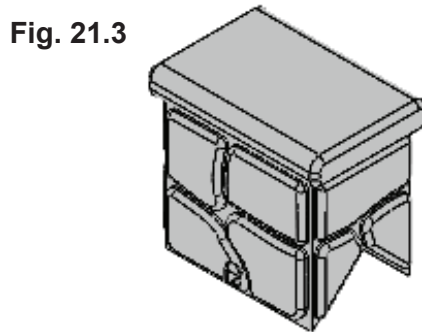
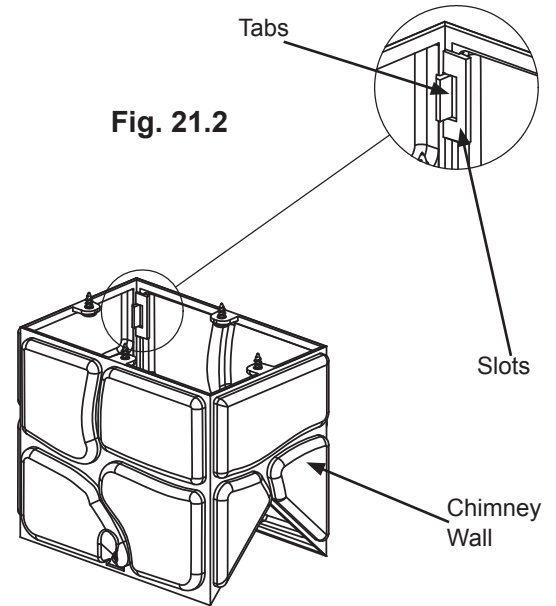
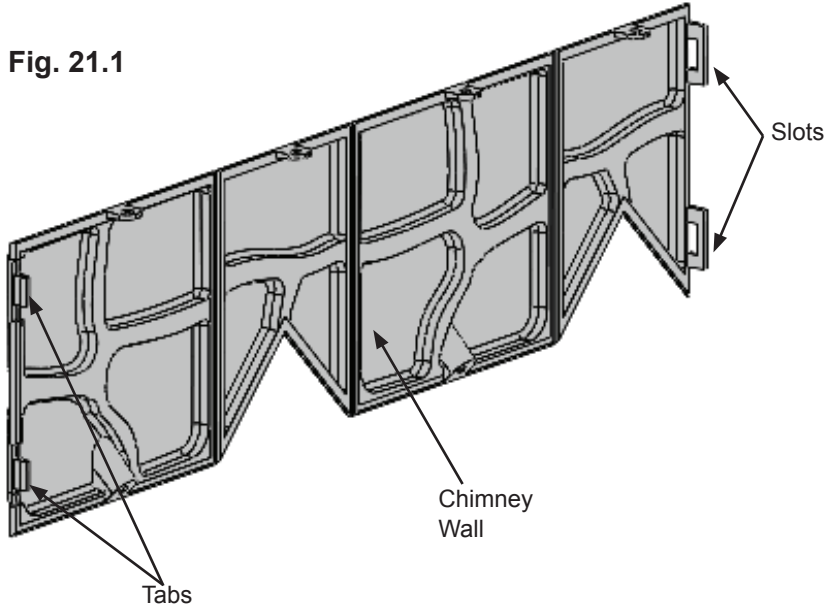
Hardware

2 x (S2) #8 x 1-1/2" Wood Screw

Step 21: Chimney Wall Assembly Part 1

A: Bend the Chimney Wall to form a box and insert tabs into slots. (fig. 21.1 and 21.2)

B: Place the (210) Chimney Top on top of the assembly and attach with 4 (S37) #7 x 5/8" Pan Screws. (fig. 21.3, 21.4 and 21.5)



Wood Parts

1 x **210** Chimney Top 15/16 x 5-1/4 x 7-1/4"

Hardware

4 x **S37** #7 x 5/8" Pan Screw

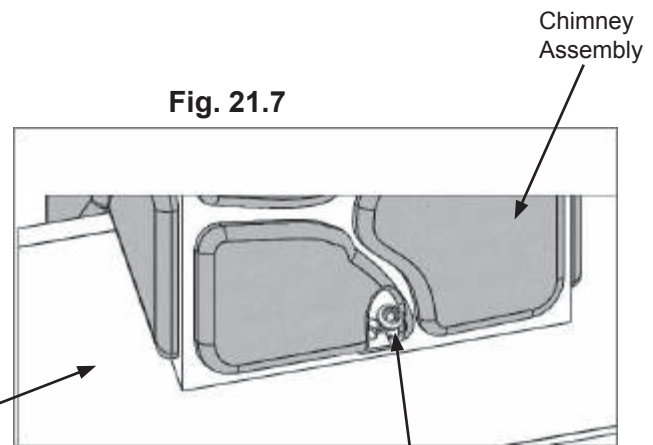
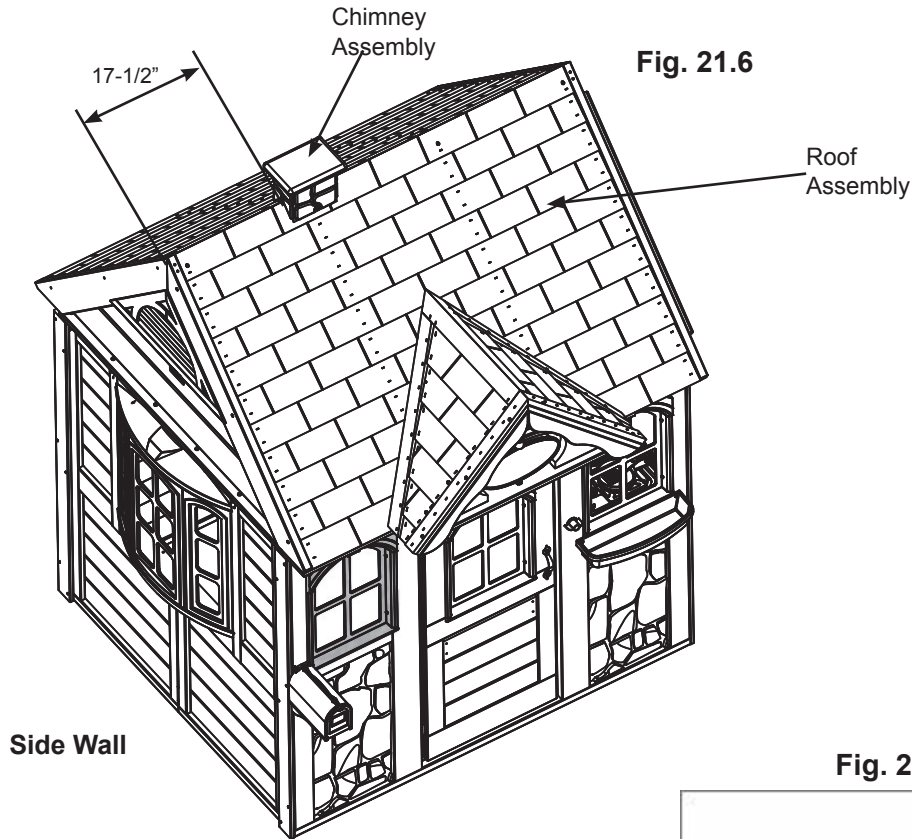
Other Parts

1 x Chimney Wall

Step 21: Chimney Wall Assembly Part 2



C: On top of the Roof Assembly measure 17-1/2" in from Side Wall then place the Chimney Wall Assembly on top of the Roof Assembly as shown in fig. 21.6 and attach with 2 (S37) #7 x 5/8" Pan Screws. (fig. 21.6 and 21.7)



(S37) x 2

Hardware

2 x (S37) #7 x 5/8" Pan Screw

